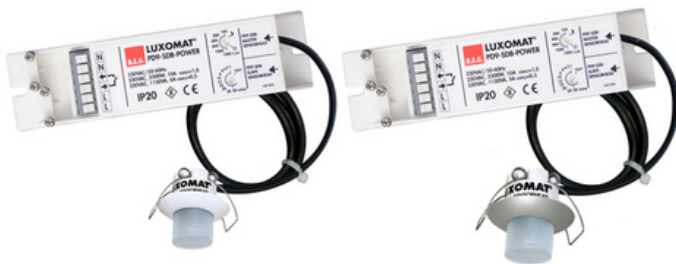


Ceiling mounted occupancy detectors - 1-channel

PD9-M-1C-SDB-IP65-GH



white mat, similar to RAL9010 , Part No. 92931 silver mat, similar to RAL9022 , Part No. 92932

Product Information

- Mini-occupancy detector designed for high-humidity locations especially for large mounting heights
- One potential-free (dry) switching contact
- Version as master device
- One additional Slave device sensor can be directly connected
- Additional functions can be set up using the optional remote control.
- Spring clips for quick and easy installation in suspended ceilings and light fittings
- Includes 45 mm cover ring and blind
- **Application examples:**
plumbed rooms/bathrooms, sports halls/ storage rooms

Technical Data

Voltage:	230 V AC $\pm 10\%$ 50 Hz
Dimensions:	Sensor head: \varnothing 36 x 40 mm, Power supply: 154 x 38 x 25 mm
Power consumption:	2.2 W
Detection area:	horizontal 360° (Ceiling mounting)
Range:	max. \varnothing 3.5 m across
Monitored area (tangential movement):	9 m ² / 6 m mounting height
Mounting height	5 m / 10 m / 6 m

min./max./recommended:

Degree / class of protection:	IP65 / Class III
Impact strength:	IK03
Ambient temperature:	-25 °C to +50 °C
Housing:	polycarbonate, UV-resistant
Cable length:	350 cm

Channel 1 (lighting control, potential-free (dry))

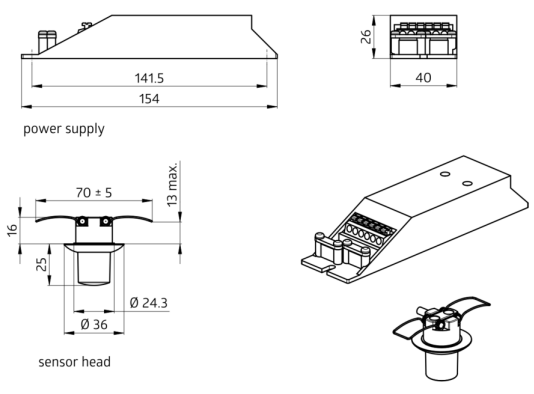
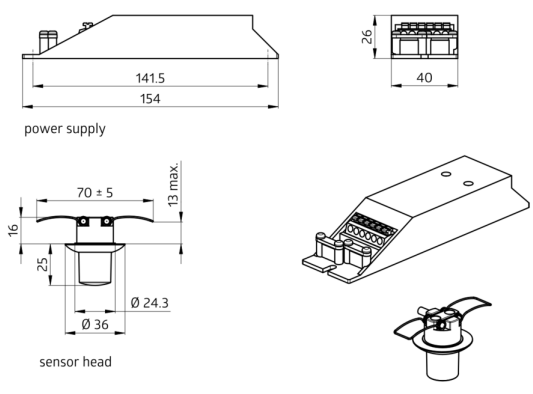
Switching power:	2300 W, $\cos \varphi = 1$ 1150 VA, $\cos \varphi = 0.5$ 300 W LED max. inrush current I_p (20 ms) = 80 A
Type of contact:	1x μ -contact, dry NO contact
Follow-up time:	15 sec - 30 min, Pulse
Switch-on threshold:	10 - 2000 Lux Mixed light measuring

Description

Description	Colour	Part number	EAN number
PD9-M-1C-SDB-IP65-GH-FC	white mat, similar to RAL9010	92931	4007529929313
PD9-M-1C-SDB-IP65-GH-FC	silver mat, similar to RAL9022	92932	4007529929320

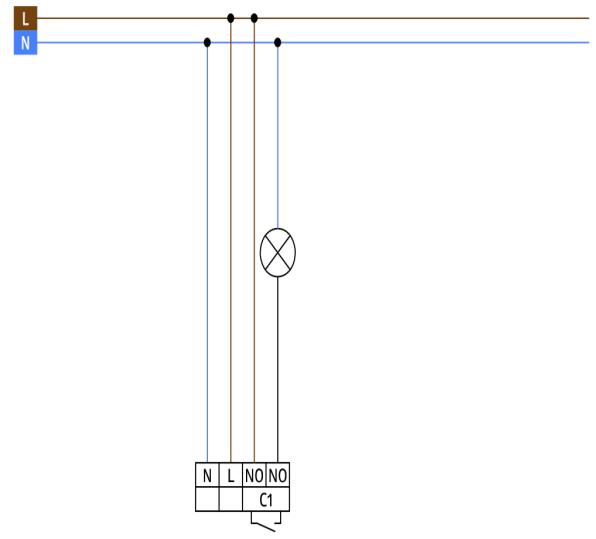
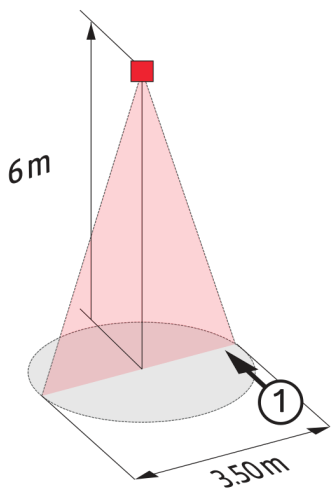
Accessory

Description	Colour	Part number	EAN number
BLE-IR-Adapter	black	93067	4007529930678
IR-PD9	-	92201	4007529922017
IR-PD-Mini	-	92159	4007529921591
RC-Arc extinction kit	white	10880	4007529108800
Mini-RC-Arc extinction kit	black	10882	4007529108824



Dimensions 92932

Dimensions 92931



Range diagram
1: Walking across

Wiring diagrams