

Ceiling mounted occupancy detectors - 1-channel

PD9-M-1C-SDB-IP65



white mat, similar to RAL9010 , Part No. 92912 silver mat, similar to RAL9022 , Part No. 92913

Product Information

- Mini-occupancy detector designed for high-humidity locations
- One potential-free (dry) switching contact
- Version as master device
- One additional Slave device sensor can be directly connected
- Additional functions can be set up using the optional remote control.
- Spring clips for quick and easy installation in suspended ceilings and light fittings
- **Application examples:**
entrance halls, plumbed rooms/bathrooms

Technical Data

Voltage:	230 V AC \pm 10% 50 Hz
Dimensions:	Sensor head: \varnothing 36 x 28 mm, Power supply: 154 x 38 x 25 mm
Power consumption:	2.2 W
Detection area:	horizontal 360° (Ceiling mounting)
Range:	max. \varnothing 10 m across max. \varnothing 6 m towards max. \varnothing 4 m seated
Monitored area (tangential movement):	78 m ² / 2.5 m mounting height

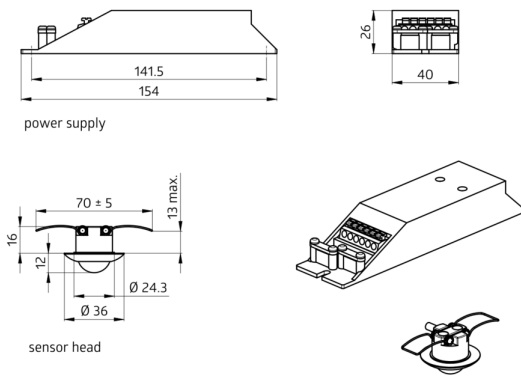
Mounting height min./max./recommended:	2 m / 5 m / 2.5 m
Degree / class of protection:	IP65 / Class III
Impact strength:	IK03
Ambient temperature:	-25 °C to +50 °C
Housing:	polycarbonate, UV-resistant
Cable length:	350 cm
Channel 1 (lighting control, potential-free (dry))	
Switching power:	2300 W, $\cos \varphi = 1$ 1150 VA, $\cos \varphi = 0.5$ 300 W LED max. inrush current I_p (20 ms) = 80 A
Type of contact:	1x μ -contact, dry NO contact
Follow-up time:	15 sec - 30 min, Pulse
Switch-on threshold:	20 - 1500 Lux Mixed light measuring

Description

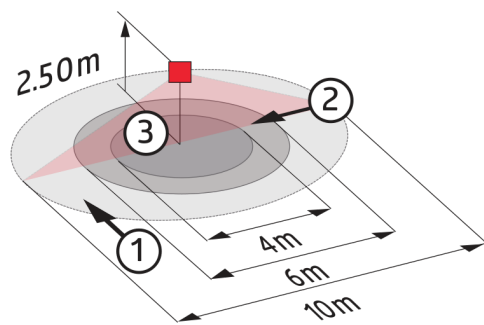
Description	Colour	Part number	EAN number
PD9-M-1C-SDB-IP65-FC	white mat, similar to RAL9010	92912	4007529929122
PD9-M-1C-SDB-IP65-FC	silver mat, similar to RAL9022	92913	4007529929139

Accessory

Description	Colour	Part number	EAN number
BLE-IR-Adapter	black	93067	4007529930678
IR-PD9	-	92201	4007529922017
IR-PD-Mini	-	92159	4007529921591
RC-Arc extinction kit	white	10880	4007529108800
Mini-RC-Arc extinction kit	black	10882	4007529108824
PD9-SDB	white, similar to RAL9010	92915	4007529929153

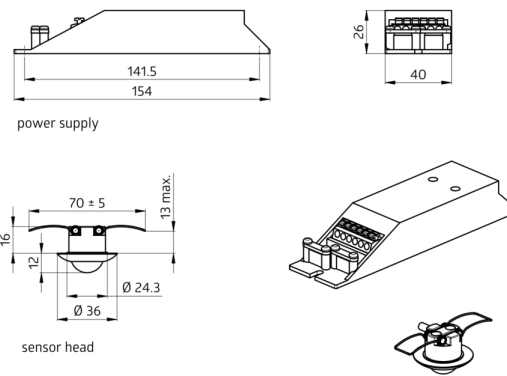


Dimensions 92913

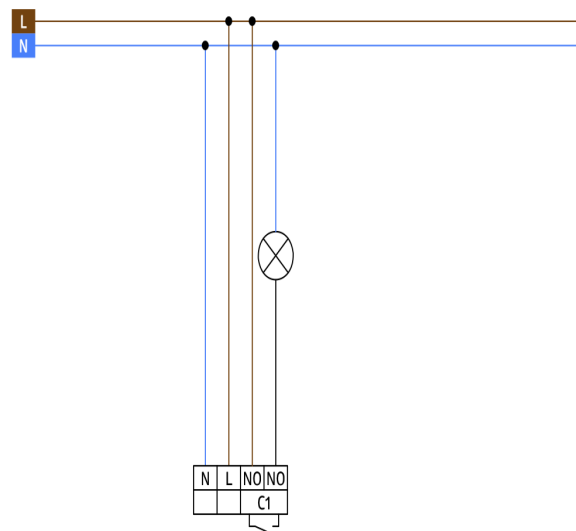


Range diagram

- 1: Walking across
- 2: Walking towards
- 3: Seated activity



Dimensions 92912



Wiring diagrams