

Outdoor motion detectors - LC-Click

LC-Click 140



white mat, similar to RAL9010 , Part No. 91101 black mat, similar to RAL9005 , Part No. 91121

Product Information

- Motion detector with detection area of 140°
- Adjustable ball head
- Simple mounting thanks to plug base
- Detection area can be restricted with blinds

Technical Data

Voltage:	110 - 240 V AC 50 / 60 Hz
Dimensions:	103 x 78 x 80 mm
Power consumption:	approx. 0.4 W
Detection area:	horizontal 140° (Wall mounting)
Range:	max. 12 m across max. 4 m towards
Monitored area (tangential movement):	170 m ² / 2.5 m mounting height
Mounting height min./max./recommended:	2 m / 3 m / 2.5 m
Degree / class of protection:	IP44 / Class II
Ambient temperature:	-25 °C to +50 °C

Housing: polycarbonate, UV-resistant

Channel 1 (lighting control)

Switching power: 1000 W, $\cos \varphi = 1$
500 VA, $\cos \varphi = 0.5$
200 W LED

Type of contact: 1x μ -contact, NO contact

Follow-up time: 4 sec - 10 min

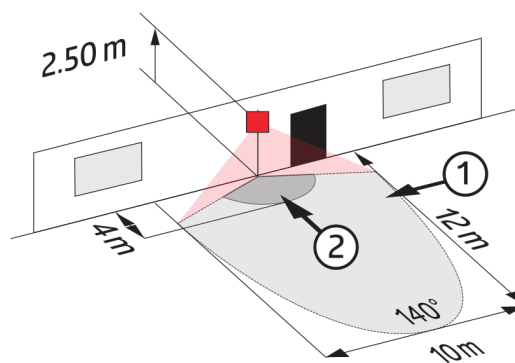
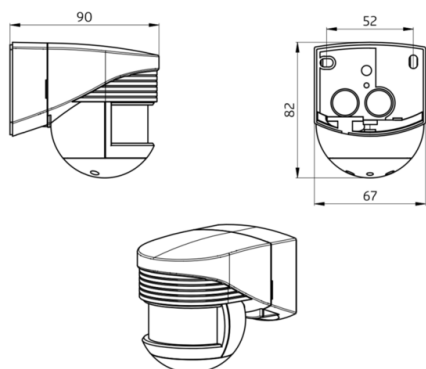
Switch-on threshold: 10 - 300 Lux

Description

Description	Colour	Part number	EAN number
LC-Click 140	white mat, similar to RAL9010	91101	4007529911011
LC-Click 140	black mat, similar to RAL9005	91121	4007529911219

Accessory

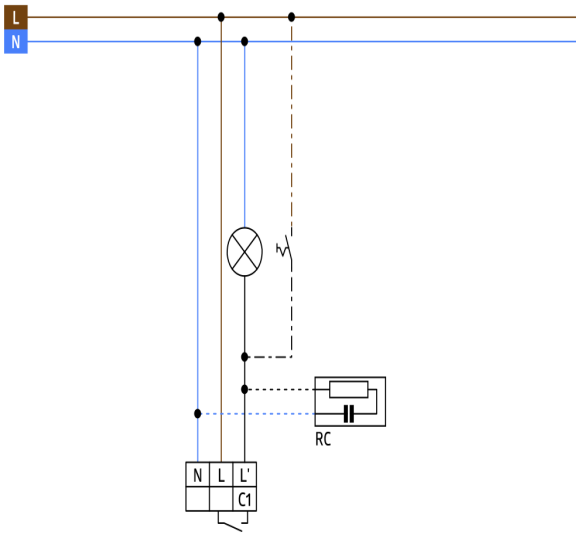
Description	Colour	Part number	EAN number
Wire basket BSK (\varnothing 164 x 143 mm)	white	92467	4007529924677
RC-Arc extinction kit	white	10880	4007529108800
Mini-RC-Arc extinction kit	black	10882	4007529108824
Surface mounting frame LC	white	91080	4007529910809
Surface mounting frame LC	black	91081	4007529910816



Dimensions 91101

Range diagram

- 1: Walking across
- 2: Walking towards



Wiring diagrams

© 2023 B.E.G. Brück Electronic GmbH