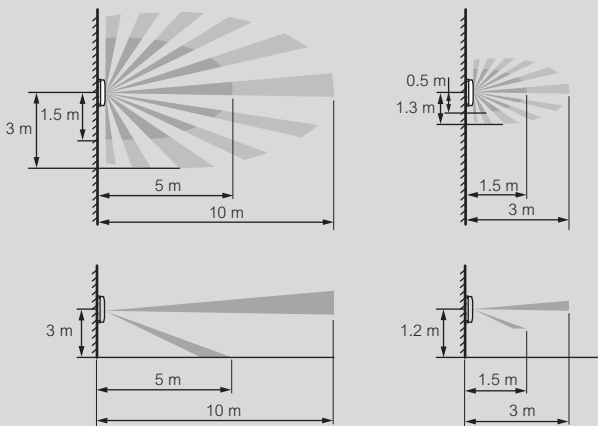


Motion sensors for 1 circuit

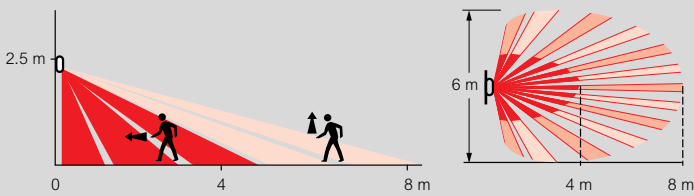
detection zones and load table

Detection zones

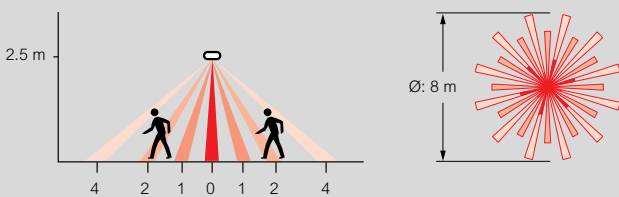
Cat.Nos 5 740 47/34, 0 784 54/55



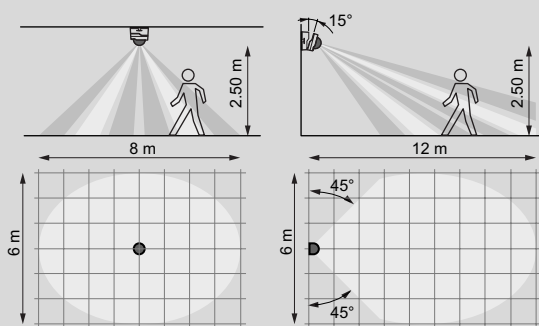
Cat.Nos 0 489 42/45



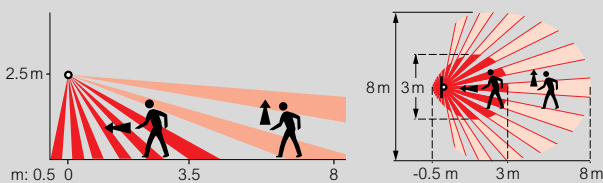
Cat.Nos 0 489 41/44/48



Cat.Nos 0 697 40/80



Cat.Nos 0 489 43/46



Load table

Cat.No	Halogen bulb	ELV halogen with ferromagnetic transformer	ELV halogen with electronic transformer
0 784 54 / 5 740 47	2000 W	1000 VA	1000 VA
5 740 34	40 x 400 W	40 - 400 VA	40 - 400 VA
0 489 42/45	2000 W	1000 VA	1000 VA
0 489 41/44	2000 W	1000 VA	1000 VA
0 489 43/46	2000 W	1000 VA	1000 VA
0 697 40/80	2000 W	1000 VA	1000 VA

Cat.No	Fluorescent tube	Compact fluorescent bulb	LED
0 784 54 / 5 740 47	10 x (2 x 36 W)	250 W	250 W
5 740 34	-	-	-
0 489 42/45	10 x (2 x 36 W)	250 W	250 W
0 489 41/44/48	10 x (2 x 36 W)	250 W	250 W
0 489 43/46	10 x (2 x 36 W)	250 W	250 W
0 697 40/80	10 x (2 x 36 W)	250 W	250 W