

## IR-RC-LD



- , Part No. 92649

### Product Information

- Infrared remote control for conveniently setting or changing parameters
- Especially for long distances
- Comes complete with a wall bracket
- Easy programming of the motion detectors RC-plus next 130, 230 and 280 as well as the LED-floodlight FL2N-LED-230 and the automatic lights AL2-RC-plus 130, 230 and 280

### Technical Data

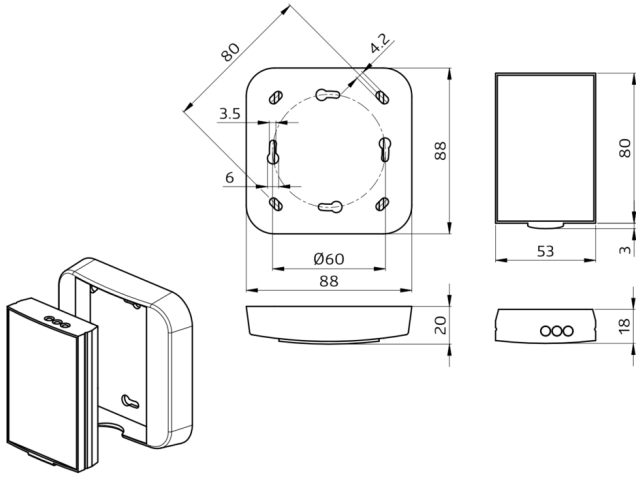
**Battery:** 3 x Micro AAA 1.5 V (not included)

**Dimensions:** 83 x 53 x 17 mm

**Transmit range:** **clouded/dark:** max. 12 m

### Description

| Description | Colour | Part number | EAN number    |
|-------------|--------|-------------|---------------|
| IR-RC-LD    | -      | 92649       | 4007529926497 |



Dimensions 92649

---

© 2021 B.E.G. Brück Electronic GmbH