

# B.E.G. LUXOMAT® FL3N-LED floodlights

## Operating and mounting instructions for LED floodlights FL3N-LED/FL3N-LED-130 (with 130° motion detector)

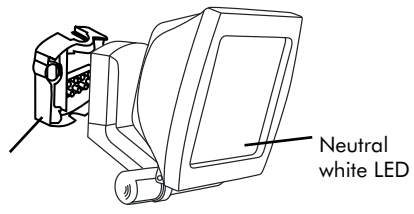
### 1. Product information

- Floodlight with LED technology
- suitable for outdoor installation
- sturdy housing made of die-cast aluminium with corrosion-resistant stainless-steel screws, socket made of UV-resistant polycarbonate
- FL3N-LED-130 with integrated 130° motion detector
- FL3N-LED without motion detector (disregard pt. 6-9)

### 2. Warning notices

- !** The lamp housing heats up during operation. Only carry out alignment of the LED head when it cooled down
- !** Do not look from a short distance or a long period in the floodlight. This can lead to severe damage of the retina.
- !** Have all work involving the 230 V mains supply carried out by a qualified electrician!
- !** The mains voltage must be disconnected before installation.

### 3. Function



The LED-floodlights LUXOMAT® FL3N-LED-130 are suitable for outdoor use. They possess a solid, water and dust resistant housing of diecast aluminium with corrosion-resistant stainless screws.

There are numerous application examples, for instance for lighting of inner rooms, car parks, lawn, shopping center and tunnels...

### 4. Mounting preparations

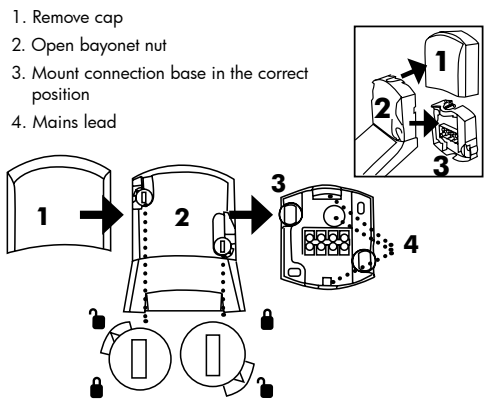
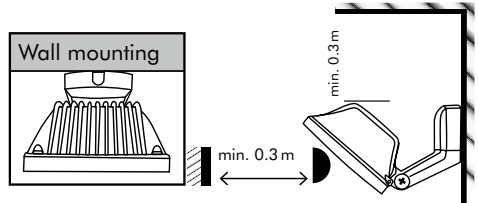
Please pay attention to the following instructions before the installation:

- This appliance is only suitable for fixed mounting.
- Respect a minimum distance of 0.3 meter between the appliance and object or surface which has to be lit.
- The installation has to be made according to current wiring regulations.
- Replace the cracked protection glass immediately and use only original parts to substitute.

**!** Attention: No maintenance work on floodlight head

### 5. Mounting

Installation guidance

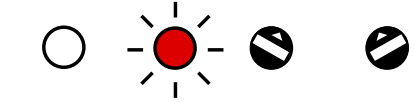


Attention: Mounting on wall and ceiling is possible

### 6. Putting into operation / Settings

**Self test cycle**  
After mounting and connecting the 230 VAC supply voltage, the LED flashed for 1 min. to show a self testing unit. Then the unit is ready for operation and the settings can be made manually.

<b>Light sensor</b>	<b>LED</b>	<b>Lux</b>	<b>Min/Sec</b>	<b>Test</b>
☐	●	40 200 600 1200 2000	30s 2 4 5 10 30	☐



**LED Functional display**  
Display of movements and operating states

**Twilight-switch "Lux"**  
The switch-on value for the light can be set at between 5 and 2000 Lux. Using the rotary control, the luminance set points can be set as desired.  
Symbol ☀: Day operation, light sensor is inactive, it switches on/off regardless the light level

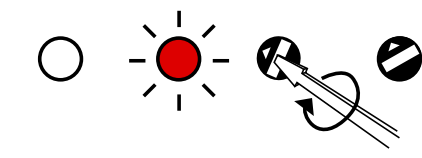
**Follow-up time "Min/Sec"**  
The time can be set infinitely variably at between 30 seconds and 30 minutes.

Symbol  $\Lambda$ : impulse < 1 sec.  
Symbol TEST: Test mode  
(Every movement switches on the light for a period of 1 second, switching it off for a period of 2 seconds regardless of the level of brightness)

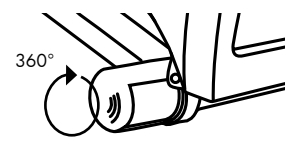
### 7. Switch-on value

The current light value can be found out with the LUX adjusting screw in position "test".  
The red LED flashes when switch-on value is undershot and it goes off when switch-on value is exceeded.

<b>Light sensor</b>	<b>LED</b>	<b>Lux</b>	<b>Min/Sec</b>	<b>Test</b>
☐	●	40 200 600 1200 2000	30s 2 4 5 10 30	☐

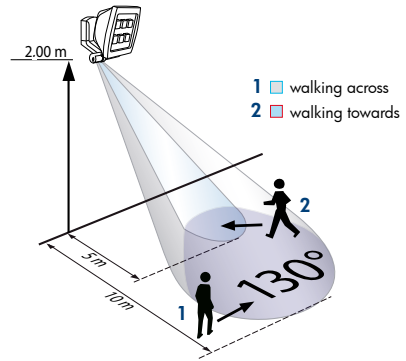


### 8. Alignment of sensor head

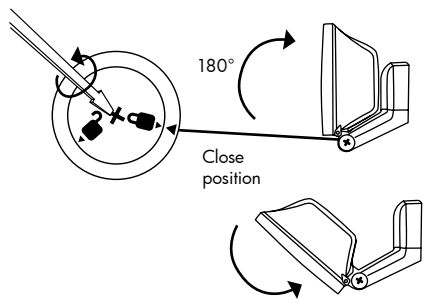


Range and detection area, respectively, can be changed by turning the sensor head.

### 9. Range

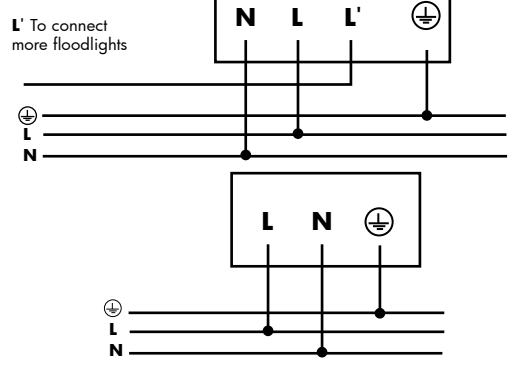


### 10. Free rotation of floodlight head

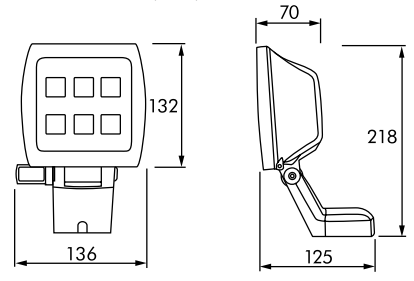


### 11. Wiring diagrams

The installation has to be made according to current wiring regulations.



### 12. Dimensions (mm)



### 13. Article / Part nr. / Accesories

Type	Colour	Part nr.
FL3N-LED-130	black	92628
FL3N-LED-130	white	92629
FL3N-LED	black	92702
FL3N-LED	white	92703

Kit diffusing lense FL3N 38004

For an optimum illumination **B.E.G.** offers diffusing lenses, which can easily be clipped on the floodlight.

### 14. Technical data

**Power supply:** 110-240 VAC, 50/60 Hz

**Total power consumption:** 14 W

**Light output:** 1050 lm

**Energy efficiency class:** A

**Switching power:** 1000 VA,  $\cos \varphi = 1$

500 VA,  $\cos \varphi = 0,5$   $\mu$

**Light colour:** neutral white (The colour of light can slightly vary despite same design of the floodlights.)

**Range (motion detector):** max. 10 m

**Time settings:** Impuls, 30 sec. - 30 min.

**Photo electric switch:** approx. 2 - 2000 Lux

**Detection area:** 130°

**Degree of protection/class:** IP44 / I / CE

**Dimensions:** L 136 x W 125 x H 218 mm

**Ambient temperature:** -25°C to +50°C

**Material:** detector UV-stabilised Polycarbonate, housing floodlight of diecast aluminium

**Mounting type:** wall or ceiling mounting

#### CE Declaration of Conformity:

This product respects the directives concerning

1. electromagnetic compatibility (2004/108/EU)
2. low voltage (2006/95/EU)
3. restriction of the use of certain hazardous substances in electrical and electronic equipment (2011/65/EU)

#### Additional Notice:

The LED's can't be changed.

You have chosen a quality product that has been produced and tested with utmost care. Even if up to 2 LEDs fail, the indicated value of light output is achieved nevertheless. Therefore, guarantee cannot be claimed in this case.