

SM socle mounting set IP54 PD2N- / PD4N-FM



white , Part No. 93307



anthracite mat, similar to RAL7016 , Part No. 93751



traffic white mat, similar to RAL9016 , Part No. 93752



black mat, similar to RAL9005 , Part No. 93753

Product Information

- Surface mounting set IP54 for PD2N and PD4N flush-mount devices
- For usability/compatibility of the accessories please refer to the descriptions of the main articles
- Suitable for: 93340, 93361, 93368, 93377, 93383, 93385, 93389, 93511, 93513, 93515, 93517, 93531, 93544, 93546, ...

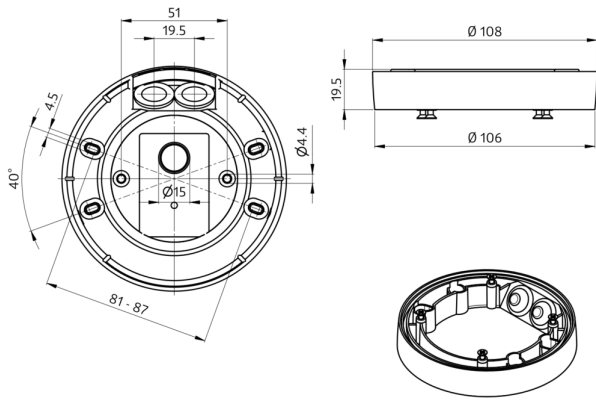
Technical Data

Dimensions:	Ø 109 x 19 mm
Degree / class of protection:	IP54

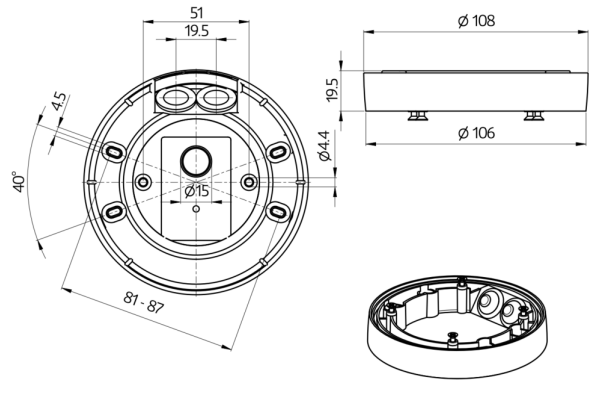
Description

Description	Colour	Part number	EAN number
SM socle mounting set IP54 PD2N- / PD4N-FM	white	93307	4007529933075
SM socle mounting set IP54 PD2N- / PD4N-FM	anthracite mat, similar to RAL7016	93751	4007529937516
SM socle mounting set IP54 PD2N- / PD4N-FM	traffic white mat, similar to RAL9016	93752	4007529937523

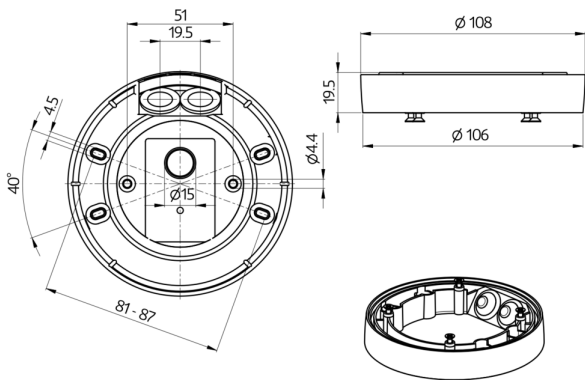
Description	Colour	Part number	EAN number
SM socle mounting set IP54 PD2N- / PD4N-FM	black mat, similar to RAL9005	93753	4007529937530



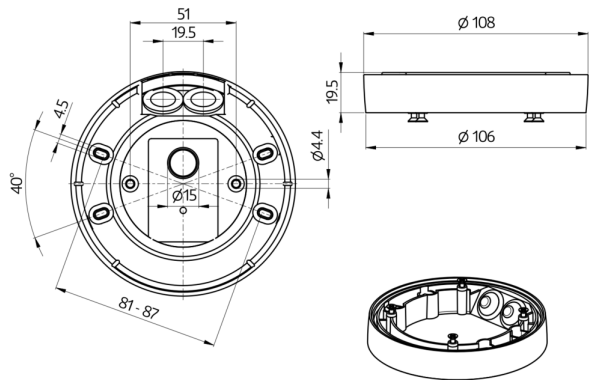
Dimensions 93307



Dimensions 93753



Dimensions 93752



Dimensions 93751