

theMura S180-101 2.20 UP WH

Item no.: 2060658

theben

Presence and motion detectors Wall installation indoor

Description

- Passive infra-red presence detector for wall installation
- Square detection area 170°, 16 x 10 m (160 m²) at 2,2 m mounting height
- 1 channel light (Relay, 230 V) and 1 channel presence (Relay, floating for HVAC control)
- Fully or semi-automatic operation
- External button can be connected
- Adjustable brightness switching value, teach-in function
- Automatic calibration of brightness measurement
- Switch-on delay configurable
- Short-term presence
- Acoustic function
- Orientation light
- Configurable sensitivity
- External button can be connected
- Staircase light function
- Extension of detection area via master/slave switching
- Ready for immediate use due to factory presetting
- Remote operation with theSenda S, theSenda P, theSenda B
- Mixed light measurement suitable for the control of fluorescent, incandescent, halogen lamps and LEDs
- Integrated button (can be blocked)
- Product design by ID AID



Technical data

theMura S180-101 2.20 UP WH	
Operating voltage	230 V AC
Frequency	50 - 60 Hz
Installation height	2.2 m
Installation type	Wall installation
Colour	White
Switching output	Light Presence
Power consumption	~0.4 W
Light measurement	Mixed light measurement
Setting range brightness	5 - 3000 lx
Light switch-off delay	Impuls, 10 s - 60 min
Lamp types	Incandescent/halogen lamps, fluorescent lamps, Energy saving lamps, LEDs
Incandescent/halogen lamp load	2300 W

theMura S180-101 2.20 UP WH	
Inrush current	max. 600 A / 200 µs
LED lamp < 2 W	40 W
LED lamp 2-8 W	450 W
LED lamp > 8 W	450 W
Switch-on delay presence	0 s - 10 min
Presence switch-off delay	10 s - 120 min
Switching capacity presence	50 W / 50 VA
Type of connection	Spring terminals
Size of concealed housing	55 mm
Detection range	160 m² (16 x 10 m)
Detection angle	170°
Ambient temperature	-15°C ... 45°C
Type of protection	IP 20

Subject to technical changes and misprints

additional information at: www.theben.de/product/2060658

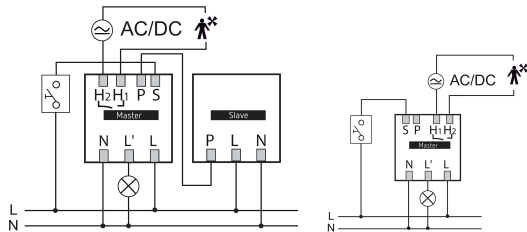
The load data are determined with exemplary selected illuminants and are therefore typical data due to the large number of available products.

theMura S180-101 2.20 UP WH

Item no.: 2060658

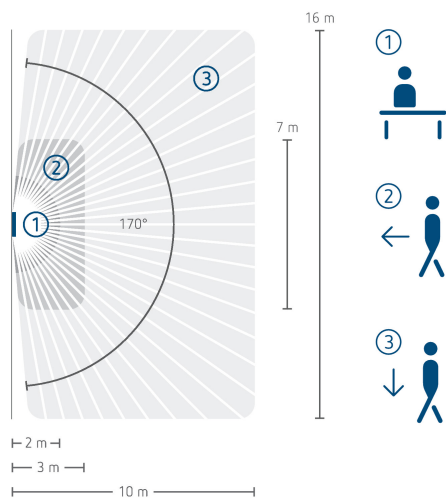
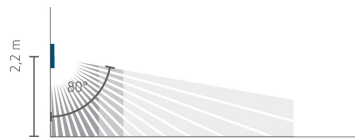


Connection example



Detection range for planning applications at a temperature of 21 °C

Mounting height (A)	Head on to (R)	Diagonally (t)	Sitting (S)
2.2 m	21 m ² 7 m x 3 m	160 m ² 16 m x 10 m	



Subject to technical changes and misprints

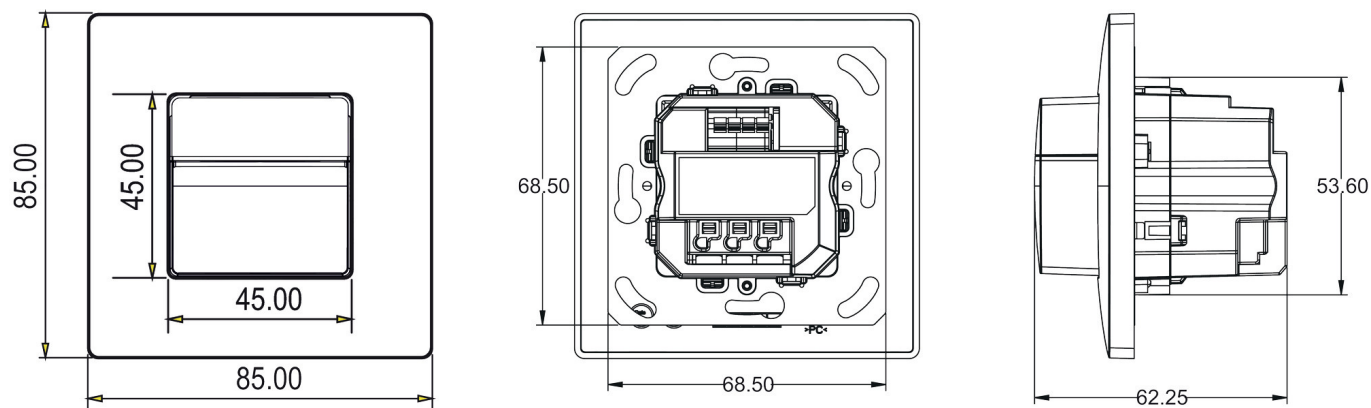
additional information at: www.theben.de/product/2060658

The load data are determined with exemplary selected illuminants and are therefore typical data due to the large number of available products.

theMura S180-101 2.20 UP WH

Item no.: 2060658

Scale drawings



Accessories

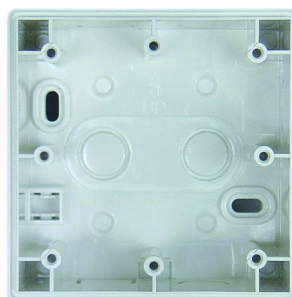
theSenda P
Item no.: 9070910



theSenda S
Item no.: 9070911



Surface frame LUXA 103-200
Item no.: 9070504



theSenda B
Item no.: 9070985



Subject to technical changes and misprints

additional information at: www.theben.de/product/2060658

The load data are determined with exemplary selected illuminants and are therefore typical data due to the large number of available products.