

In-wall mounting set / PD11



white , Part No. 92833

Product Information

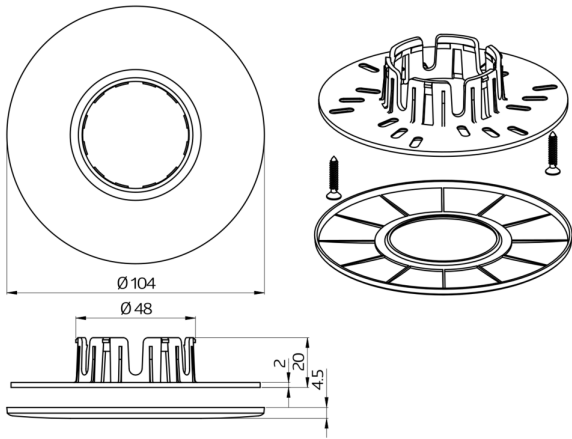
- Flush-mount adapter set "exposed concrete" for occupancy detector PD11
- Suitable for: 92583, 92593, 92594, 92731, 92893, 93068, 93392, 93459, 93522, 93523, 93542, 93802, ...

Technical Data

Dimensions: Ø 104 mm

Description

Description	Colour	Part number	EAN number
In-wall mounting set / PD11	white	92833	4007529928330



Dimensions 92833

© 2023 B.E.G. Brück Electronic GmbH