

JM 8 T KNX

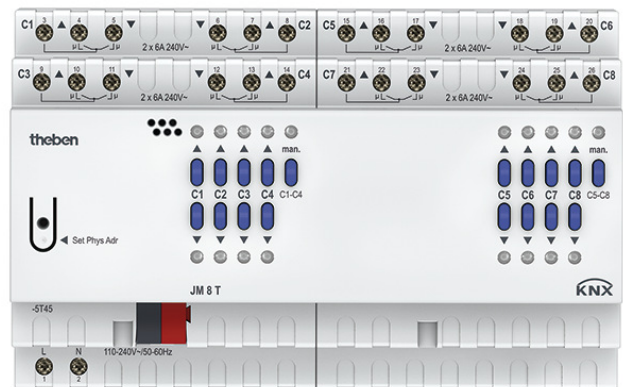
Item no.: 4940255



Home and Building control
KNX

Description

- 8-way blind actuator FIX2
- For controlling drives for blinds, shutters, sun and vision protection devices, skylights and ventilation flaps
- Manual operation on device (even without bus connection)
- LED Up and Down switching status display for each channel
- Potential-free contacts for Up and Down per channel
- Copy function for fast configuration

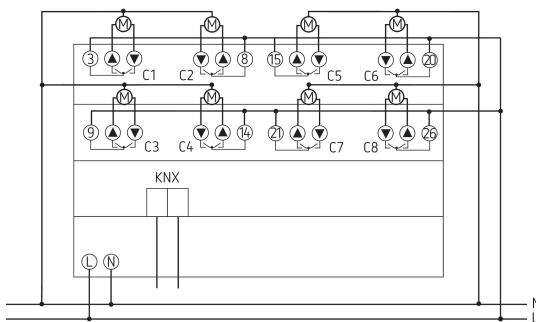


Technical data

JM 8 T KNX	
Operating voltage KNX	Bus voltage, ≤ 4 mA
Operating voltage	110 – 240 V AC 50 – 60 Hz
Stand-by consumption	~ 0.5 W
Frequency	50 – 60 Hz
Number of channels	8
Width	8 modules
Installation type	DIN rail
Type of connection	Terminal screws Bus connection: KNX bus terminal

JM 8 T KNX	
Max. cable cross section	Solid wire: 0.5 mm ² (\varnothing 0.8) to 6 mm ² Stranded wire with end sleeve: 0.5 mm ² to 4 mm ²
Output	NO contact, 6 A
Switching output	Potential-free, for SELV, if the whole device switches SELV
Ambient temperature	-5°C ... 45°C
Type of protection	IP 20
Protection class	II according to EN 60 669

Connection example



Subject to technical changes and misprints

additional information at: www.theben.de/product/4940255

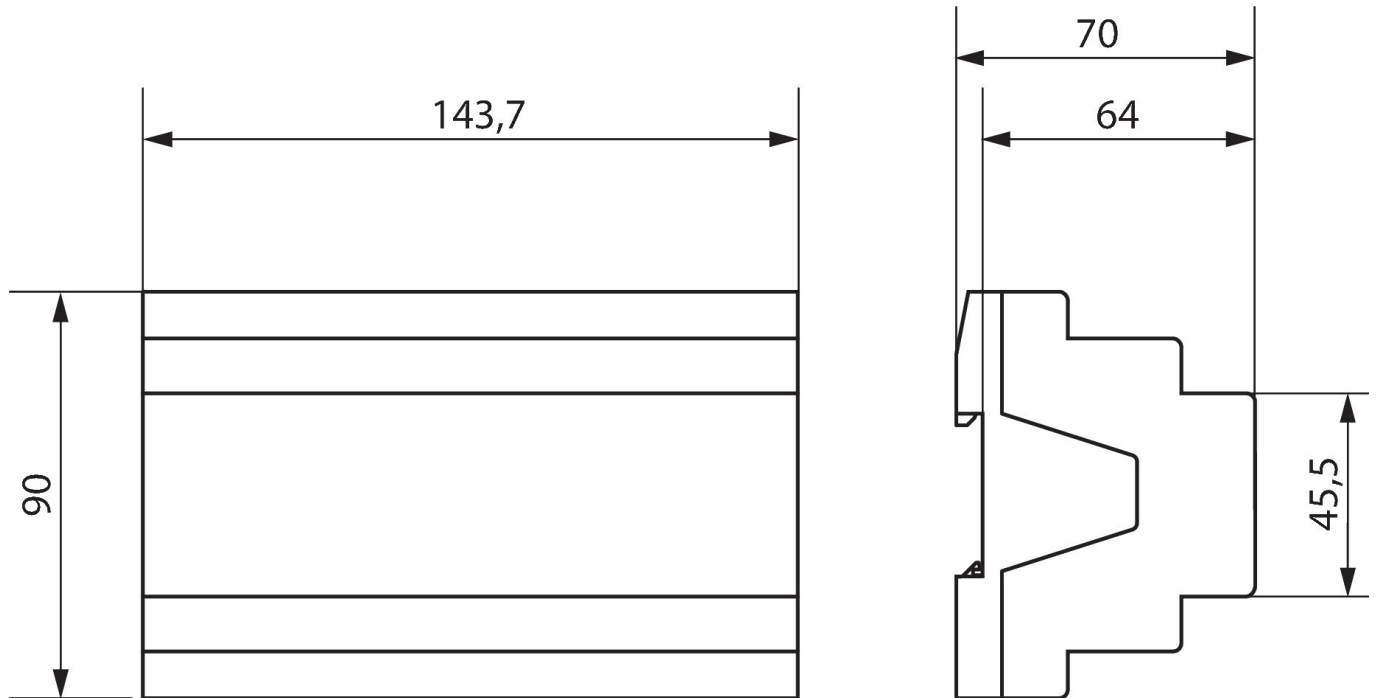
The load data are determined with exemplary selected illuminants and are therefore typical data due to the large number of available products.

JM 8 T KNX

Item no.: 4940255



Scale drawings



Subject to technical changes and misprints

additional information at: www.theben.de/product/4940255

The load data are determined with exemplary selected illuminants and are therefore typical data due to the large number of available products.

03/06/2023

Page 2 of 2