

DALI-SYS - Control devices

---

### PD11-DALI-SYS-FLAT



white mat, similar to  
RAL9010 , Part No. 92731

---

#### Product Information

- Low profile DALI multisensor (visible height: 0,85 mm)
- Powered via DALI bus
- Seamless integration in B.E.G. LUXOMAT<sup>®</sup> net DALI-SYS
- Detection area can be extended thanks to master-slave-mode
- Semi-automatic, full-automatic or twilight switch mode
- Integrated daylight harvesting circuit (or switch output)
- Guided Light, Soft-Start PLUS, Orientation light PLUS
- Works out-of-the box for easy installation check
- Full range of functions can only be activated with other products of the product group B.E.G. LUXOMAT<sup>®</sup> net DALI-SYS
- Spring clips for quick and easy installation in suspended ceilings
- Includes blinds and clamp ring for installation into light fittings
- Flush mounting with accessory 92833, surface mounting with accessories 92833 and 92121
- **Application examples:**  
underground car parks, entrance halls, corridors/hallways, staircases, small offices, open-plan offices, conference rooms

---

#### Technical Data

**Voltage:** via DALI Bus, max. 22.5 V DC

**Dimensions:** Ø 52 x 48 mm

<b>Settings:</b>	B.E.G. PC Tools, B.E.G. DALI-SYS router
<b>typ. power input:</b>	7 mA
<b>Detection area:</b>	horizontal 360° (Ceiling mounting)
<b>Range:</b>	max. Ø 9 m across max. Ø 6 m towards max. Ø 3 m seated
<b>Monitored area (tangential movement):</b>	63 m <sup>2</sup> / 2.5 m mounting height
<b>Mounting height min./max./recommended:</b>	2 m / 5 m / 2.5 m
<b>Degree / class of protection:</b>	IP20 / Class II
<b>Impact strength:</b>	IK02
<b>Ambient temperature:</b>	-25 °C to +50 °C
<b>Housing:</b>	polycarbonate, UV-resistant
<b>Follow-up time:</b>	1 sec - 120 min
<b>Orientation light:</b>	5 - 100 % / 1 min - 120 min / ∞
<b>Brightness set value:</b>	10 - 2500 Lux

---

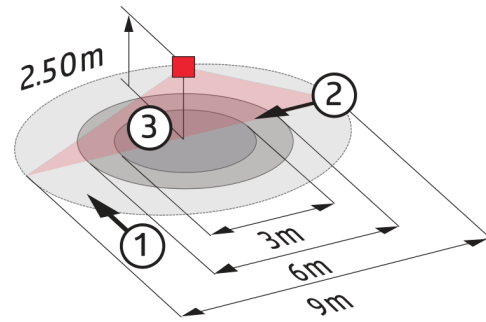
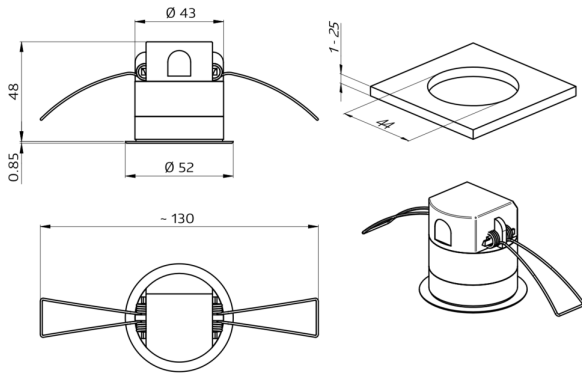
## Description

Description	Colour	Part number	EAN number
PD11-DALI-SYS-FLAT-FC	white mat, similar to RAL9010	92731	4007529927319

---

## Accessory

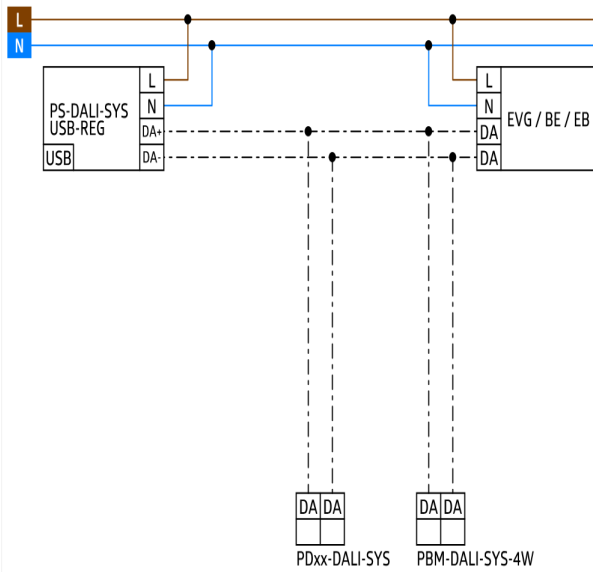
Description	Colour	Part number	EAN number
In-wall mounting set / PD11	white	92833	4007529928330
52 mm	black glossy, similar to RAL9011	92537	4007529925377
Cover ring PD11	white mat, similar to RAL9010	92692	4007529926923
Square design frame PD11-FC	white mat, similar to RAL9010	92994	4007529929948
Surface mounting socket PD11	white	92121	4007529921218



### Dimensions 92731

### Range diagram

- 1: Walking across
- 2: Walking towards
- 3: Seated activity



### Wiring diagrams