

thePixa P360 24V KNX UP BK

Item no.: 2269212

theben

Presence and motion detectors Indoor detectors

Description

- Optical sensor for ceiling installation
- KNX Data Secure
- Rectangular detection area with up to 6 flexible detection zones (Total area 11.0 x 15.5 m 171 m²; at 4.5 m installation height)
- Restriction of the detection area via app (thePixa Plug)
- Automatic presence and brightness-dependent control for lighting and HVAC
- Each detection zone has its own light measurement
- Adjustment of brightness measurements via thePixa Plug app
- Configurable sensitivity of sensor
- Distinction between motion and presence
- Parallel switching of multiple sensors (Master/Slave or Master/Master)
- Test mode for checking function and detection area via app (thePixa Plug)
- Output of occupancy rate and occupancy density via telegram
- Integrated temperature sensor
- Ceiling installation in flush-mounting box (2-point fixing)
- Surface mounting on ceilings possible with surface frame (option)
- thePixa Plug app for settings and evaluations (iOS/Android)
- KNX firmware update possible (ETS app)
- Sensor firmware update possible (thePixa Plug app)
- 6 channels light, Z1 light – Z6 light:
 - Switching or constant lighting control with 6 independent control systems and standby function (orientation light)
 - Switching mode with dimmable lighting
 - Free switch object with configuration type switching
 - Fully or semi-automatic device
 - Brightness switching value configurable in lux by using parameters
 - Brightness switching value configurable in lux by using parameters and telegram
 - Light time delay configurable by using parameters
 - Aura effect for better orientation and greater safety
 - Manual override by telegram
- 6 channels HKL, Z1 HKL – Z6 HKL:
 - Configurable switch-on delay and time delay
 - Sending of operating mode
 - Separate block telegram
- 6 channels room occupancy, Z1 room occupancy – Z6 room occupancy:
 - Output of number of persons
 - Control of a fan with up to 3 stages
 - 3 configurable thresholds (threshold switch)



Subject to technical changes and misprints

additional information at: www.theben.de/product/2269212

The load data are determined with exemplary selected illuminants and are therefore typical data due to the large number of available products.

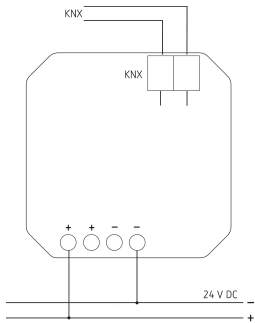
thePixa P360 24V KNX UP BK

Item no.: 2269212

Technical data

thePixa P360 24V KNX UP BK		thePixa P360 24V KNX UP BK	
Operating voltage	24 V DC	Light measurement	Mixed light measurement
Stand-by consumption	≤67 mA	Switch-on delay presence	0 s – 120 min / inactive
Installation height	2.5 – 4.5 m	Ambient temperature	-5°C ... 45°C
Minimum height	≥ 2,5 m	Colour	Black
Measuring range brightness	5 – 3000 lx	Setting range temperature	-15°C ... 60°C
Type of connection	KNX bus terminal	Type of protection	IP 20
Installation type	Flush-mounted		
Light switch-off delay	0 s – 60 min		

Connection example



Detection range for planning applications at a temperature of 21 °C

Mounting height (A)	Walking (T)	Sitting (S)
2.5 m	54 m ² 6 m x 9 m	22 m ² 4 m x 5.5 m
3 m	79 m ² 7.5 m x 10.5 m	35 m ² 5 m x 7 m
3.5 m	102 m ² 8.5 m x 12 m	51 m ² 6 m x 8.5 m
4 m	128 m ² 9.5 m x 13.5 m	79 m ² 7.5 m x 10.5 m
4.5 m	171 m ² 11 m x 15.5 m	102 m ² 8.5 m x 12 m

Subject to technical changes and misprints

additional information at: www.theben.de/product/2269212

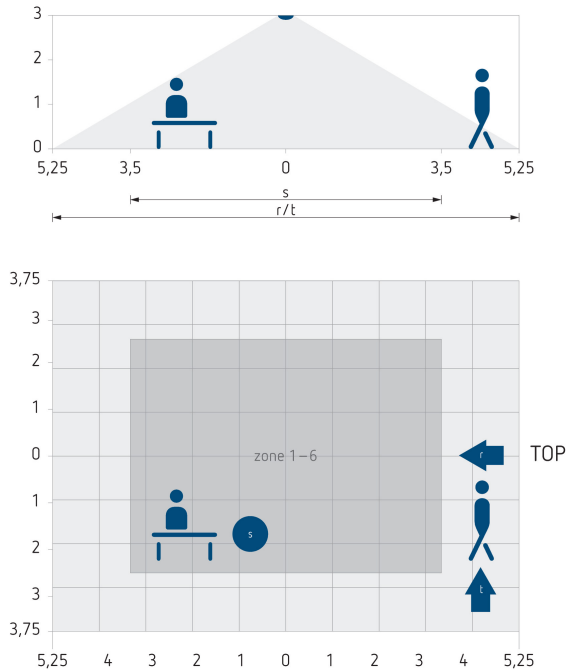
The load data are determined with exemplary selected illuminants and are therefore typical data due to the large number of available products.

thePixa P360 24V KNX UP BK

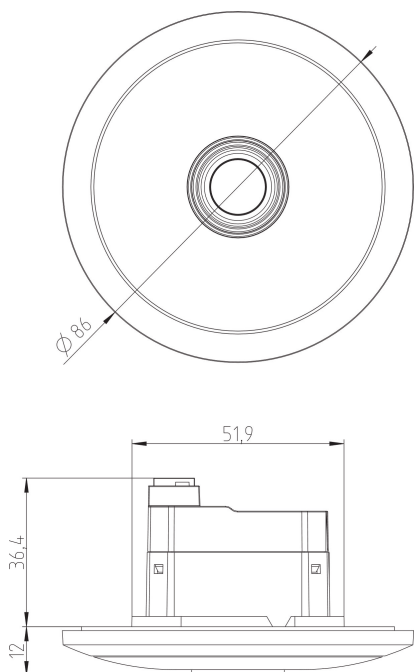
Item no.: 2269212



Detection range for planning applications at a temperature of 21 °C



Scale drawings



Subject to technical changes and misprints

additional information at: www.theben.de/product/2269212

The load data are determined with exemplary selected illuminants and are therefore typical data due to the large number of available products.

thePixa P360 24V KNX UP BK

Item no.: 2269212



Accessories

Power unit 24 V DC

Item no.: 9079330



Ceiling installation box 68A

Item no.: 9070992



Surface frame thePixa WH

Item no.: 9070816



Surface frame thePixa WH

Item no.: 9070443



Subject to technical changes and misprints

additional information at: www.theben.de/product/2269212

The load data are determined with exemplary selected illuminants and are therefore typical data due to the large number of available products.

27/01/2023

Page 4 of 4