

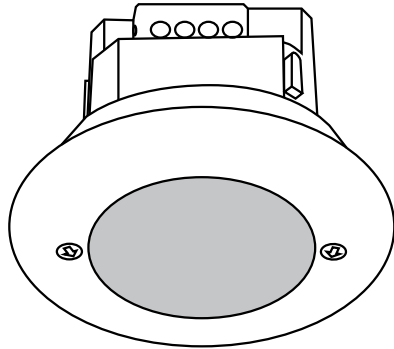
Installation and Operating Instruction for B.E.G. - Photo electric switch CdS-FC

1. Mounting preparations

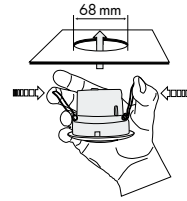
Work on the 230V mains supply may only be carried out by qualified professionals or by instructed persons under the direction and supervision of qualified skilled electrical personnel in accordance with electrotechnical regulations.

Disconnect supply before installing!

The device is not suited for safe disconnection of the mains supply.



2a. Installation of the LUXOMAT® CdS-FC

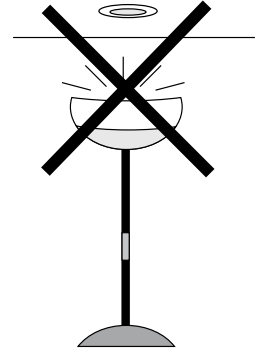


The photo electric switch has been designed and developed specifically for installation in suspended ceilings.

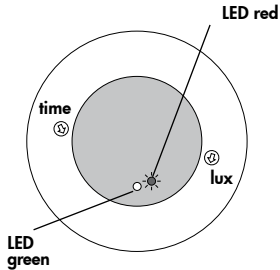
A circular opening of diameter 68 mm must be produced in the ceiling.

Having connected up the cables in accordance with regulations, the photo electric switch is inserted into the opening as shown in the drawing opposite and fixed into position with the assistance of the spring clips.

Attention: Please do not use indirect lighting directly on the photo electric switch!



2b. Self test cycle



The product enters an initial 60-second self-test cycle, when the supply is connected first. The occupancy detector is ready for operation (red LED is flashing).

3. Putting into operation / Settings



OFF-delay

The time can be set infinitely variably at between 5 seconds and 30 minutes.

Symbol Π : 30 min.

Symbol TEST: 5 sec.



Twilight value

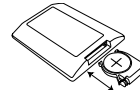
The twilight value can be set at between 10 and 2000 Lux. Using the rotary control, the luminance set points can be set as desired.

Symbol ☾: dark e.g. 10 Lux

Symbol ☀: bright e.g. 2000 Lux

4. Settings carried out using remote control (optional)

Remote control LUXOMAT® IR-CdS-FP

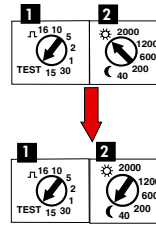


1. Check Battery:

open battery compartment by pressing the plastic springs together and removing the battery-holder.

2. IMPORTANT

Please pay attention, that the setting is Potentiometer 1 at "TEST" and Potentiometer 2 **not** at "SUN". All values which have been programmed using the remote control will be deleted in the event of power failure in the position "TEST/SUN". Please switch Potentiometer 2 over to "MOON" or any other value.



Caution:

Settings with remote control supersede the settings by courtesy of potentiometers.

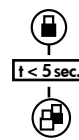
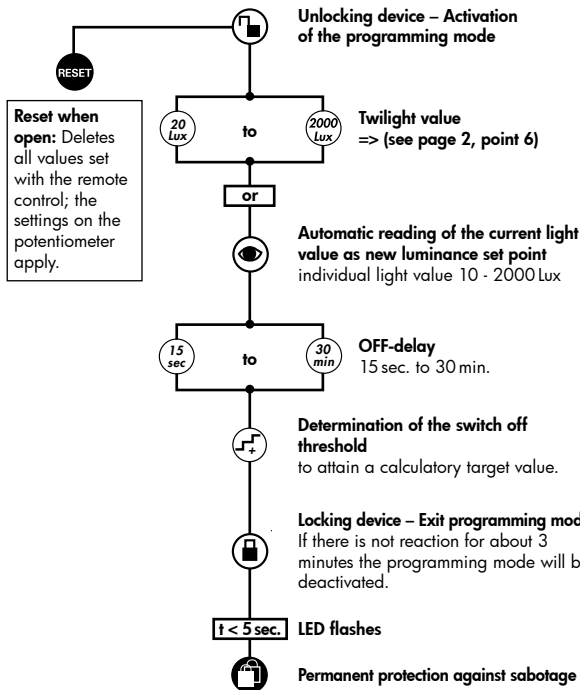
Option:



IR-CdS-FP – Part nr. 92396



Wall bracket for remote control IR-CdS-FP



Permanent protection against sabotage

This function blocks the LUXOMAT® CdS-FC permanently. This operating mode can only be activated during the period of 5 seconds after pressing the "lock" button.

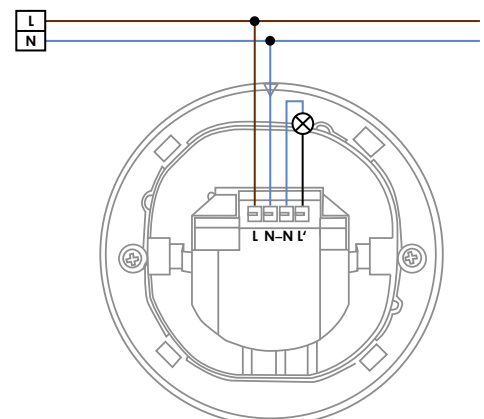
The procedure for leaving this mode is as follows:

1. Disconnect the mains
2. Connect the mains for 7sec.
3. Disconnect the mains again
4. Connect the mains

or

1. Switch the potentiometer over to "TEST" and "SUN"
2. 2 x Switch ON/OFF

5. CdS-FC Connections



6. Function

6.1. Switch-on threshold

The switch-on threshold will be set by potentiometer or remote control. Settings with remote control overwrite the settings by courtesy of potentiometers.

6.2. Switch-off threshold (self-learning)

The switch-off threshold will be measured by the device independent of the lighting. **After switching on, the lighting has to be on for about a minimum of 4 min.** At the end of this time the lighting switches off shortly and the difference of light will be measured. Depending on this difference the OFF-delay will be measured.

As long as no value is measured the green LED flashes shortly and constantly in a period of 10 sec. During the measurement duration the red and green LED are flashing in turns.

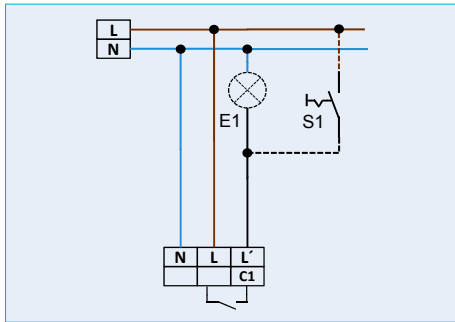
6.3. ON-delay

The ON-delay time will be set in dependence on the changing of twilight value.

suddenly dark (p.ex. venetian blind) → 0.5 sec.
slowly dark (p.ex. sunset) → 64 sec.

7. Wiring diagrams

Standard mode with 1-channel photo electric switch



S1 = Switch for permanent light

8. Article / Part nr. / Accessory

Type	FC
CdS-FC	92249

LUXOMAT® Remote control:
IR-CdS-FP (incl. wall bracket) 92396

9. Technical data CdS-FC

Sensor and power supply in one case

Power supply: 230 V~ ±10 %

Power consumption: < 1 W

Ambient temperature: -25°C to +50°C

Degree of protection/class: IP20 / II

Settings: locally and by remote control

Light values – IR-CdS-FP: 10 - 2000 Lux

Recommended height for mounting: 2 - 3 m

Light measurement: mixed light, daylight + artificial light

Lux values – Potentiometer: 10 - 2000 Lux

Type of contact: NOC/with pretravel tungsten contact

Contact load: 2000 W, 230 V~ cos φ=1 / 1000 VA cos φ=0.5, µ-contact

OFF-delay: 5 sec. - 30 min.

Dimensions HxØ: 74 x 80 mm

Visible portion when built into ceiling: 6 x 80 mm

CE Declaration of Conformity: The product complies with the low voltage recommendation 2006/95/EC and the EMV recommendation 2004/108/EC

10. LED-functional indicators, trouble shooting

The functional indicators in the case of the LUXOMAT® CdS-FC (red and green LED's)

Red LED indicating self-checking mode (over a period of 60 seconds following mains'-supply lock-on)

Flashing at intervals of 1 second
EEPROM/ memory empty

Flashing rapidly
EEPROM/ memory contains information

Red LED as an indicator of status
Flashing shortly every 10 seconds
Device starts to function

Illuminated
Detector identifies bright, light off

Not illuminated
Detector identifies dark, light on after variable ON-delay time 0.5 - 64 sec.

Red LED as an acknowledgement of receipt for commands from the remote control

Illuminated for 2 seconds
Signal validly received

Illuminated for 0.5 seconds
Not-accepted command, detector blocked

Green LED
Flashes shortly every 10 seconds
No switch-off threshold calculated yet

Green and red LED's
Both are flashing in succession
Light measurement active, 4 min.