

BMS DALI-2 - Multisensoren

PD4-BMS-GH-SM DALI-2



white mat, similar to
RAL9010 , Part No. 93545

Product Information

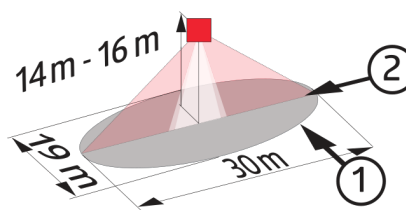
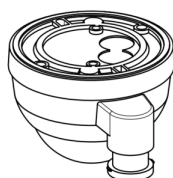
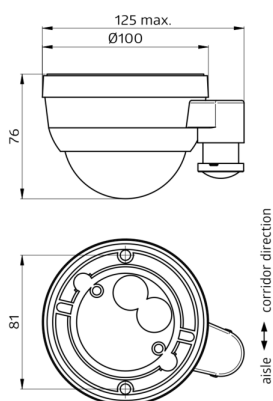
- DALI-2 multisensor (input device) for surface mounting in large mounting heights
- DALI-2 certified product
- Powered via DALI bus
- External telescopic light sensor for a mounting height between 5 and 16 m (mechanically adjustable) for measuring the light according to the application.
- Bright LED indication for commissioning
- DALI multimaster technology according to IEC 62386 part 103
- Instance 0 provides information regarding occupancy and movement for the DALI-Bus according to IEC 62386 part 303
- Instance 1 provides LUX values for the DALI-Bus according to IEC 62386 part 304
- Parameterisation is possible via mandatory Multimaster-Application-Controller of any manufacturer. This controller must support IEC 62386 parts 101/103/303/304.
- Mixed light measurement with external light sensor
- Detection area can be restricted with blinds
- There are markings to ensure correct alignment during installation
- **When used in high-bay warehouses, care should be taken that, in the cross-aisles of the warehouse, detectors are installed that can detect movement only in the desired aisle locations, by using blinds or other technical arrangements.**
- Individual adaption of detection sensitivity for each PIR sensor
- Status LEDs can be activated / deactivated
- **Application examples:**
high-bay warehouse

Technical Data

Voltage:	via DALI Bus, max. 22.5 V DC
Dimensions:	Ø 101 x 76 mm
Settings:	via DALI-Bus and application which supports DALI multisensors according to IEC62386. parts 101. 103. 303 and 304
typ. power input:	7 mA
Detection area:	horizontal 360° oval (Ceiling mounting)
Range:	30 m x 19 m
Monitored area (tangential movement):	440 m ² / 14 m mounting height
Mounting height min./max./recommended:	5 m / 16 m / 14 m
Degree / class of protection:	IP54 / Class II
Impact strength:	IK04
Measured light output:	0 - 4095 Lux, Mixed light measuring
Ambient temperature:	-25 °C to +50 °C
Housing:	polycarbonate, UV-resistant

Description

Description	Colour	Part number	EAN number
PD4-BMS-GH-SM DALI-2	white mat, similar to RAL9010	93545	4007529935451



Dimensions 93545

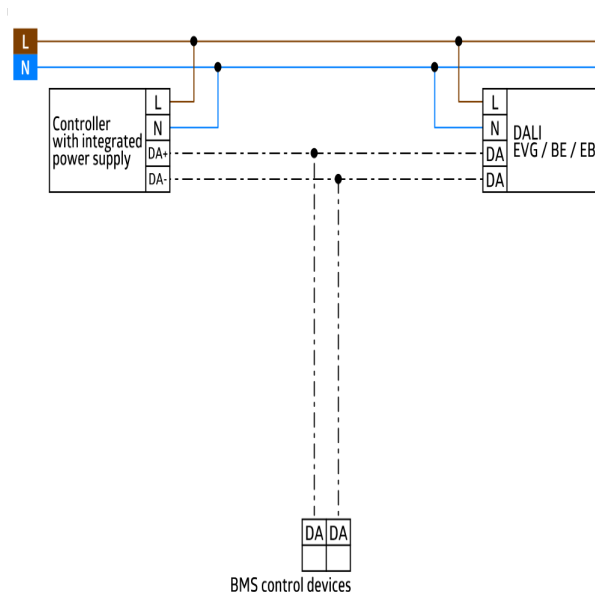
Range diagram

- 1: Walking across
- 2: Walking towards



Range diagram

- 1: Walking across
- 2: Walking towards



Wiring diagrams

