

Microwave detectors - Occupancy detector

HF-MD4



white mat, similar to
RAL9010 , Part No. 94438

Product Information

- Microwave occupancy detector for indoor use
- Optimal and individual setup via external light sensor and external HF radar sensor
- Convenient programming with B.E.G. Smartphone app
- Temperature-independent detection
- Detection through glass, wood and partition walls

Technical Data

Voltage:	110 - 240 V AC 50 / 60 Hz
Dimensions:	120 x 40 x 26 mm
Power consumption:	approx. 0.5 W
Detection area:	horizontal 360° (Ceiling mounting) Ø 0.2 - 7 m
Monitored area (tangential movement):	38 m ² / 2.5 m mounting height
Mounting height min./max./recommended:	1 m / 2.5 m / 2.5 m
Degree / class of protection:	IP20 / Class II

Ambient temperature: -15 °C to +50 °C
Housing: polycarbonate, UV-resistant

Channel 1 (lighting control)

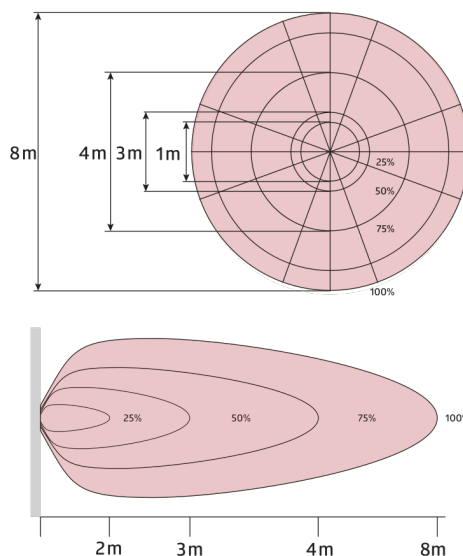
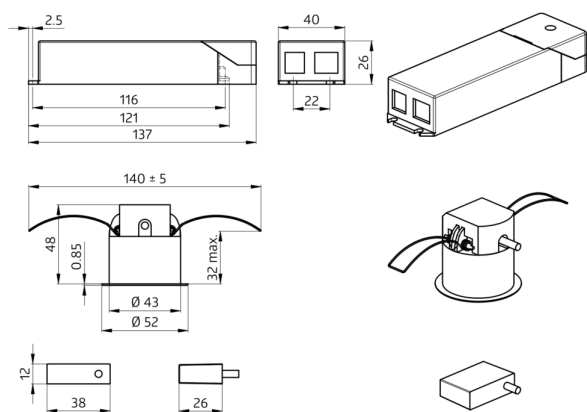
Switching power: 2300 W, $\cos \varphi = 1$
 1150 VA, $\cos \varphi = 0.5$
Type of contact: 1x μ -contact, NO contact
Follow-up time: 15 sec - 30 min
Switch-on threshold: 10 - 1200 Lux
Radar / HF technology: 5.8 GHz, < 10 mW

Description

Description	Colour	Part number	EAN number
HF-MD4	white mat, similar to RAL9010	94438	4007529944385

Accessory

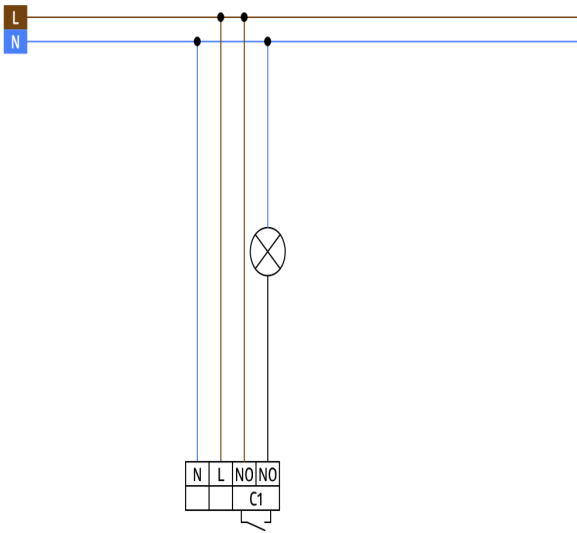
Description	Colour	Part number	EAN number
BLE-IR-Adapter	black	93067	4007529930678



Dimensions 94438

Range diagram

1: Walking across or towards.
 The range depends on size and speed of the object.



Wiring diagrams

© 2023 B.E.G. Brück Electronic GmbH