

### BMS DALI-2 - Multisensoren

## PD11-BMS-FLAT DALI-2



white mat, similar to  
RAL9010 , Part No. 93542

### Product Information

- Low profile DALI-2 multisensor (input device) having a visible height of only 0.85 mm
- DALI-2 certified product
- Powered via DALI bus
- DALI multimaster technology according to IEC 62386 part 103
- Instance 0 provides information regarding occupancy and movement for the DALI-Bus according to IEC 62386 part 303
- Instance 1 provides LUX values for the DALI-Bus according to IEC 62386 part 304
- Parameterisation is possible via mandatory Multimaster-Application-Controller of any manufacturer. This controller must support IEC 62386 parts 101/103/303/304.
- Spring clips for quick and easy installation in suspended ceilings
- Includes blinds and clamp ring for installation into light fittings
- With accessories for flush-mounting in ceiling and exposed concrete
- Individual adaption of the PIR sensor sensitivity
- Status LEDs can be activated / deactivated
- **Application examples:**  
underground car parks, entrance halls, corridors/hallways, staircases, small offices, open-plan offices, conference rooms

### Technical Data

**Voltage:** via DALI Bus, max. 22.5 V DC

**Dimensions:** Ø 52 x 48 mm

<b>Settings:</b>	via DALI-Bus and application which supports DALI multisensors according to IEC62386. parts 101. 103. 303 and 304
<b>typ. power input:</b>	7 mA
<b>Detection area:</b>	horizontal 360° (Ceiling mounting)
<b>Range:</b>	max. Ø 9 m across max. Ø 6 m towards max. Ø 3 m seated
<b>Monitored area (tangential movement):</b>	63 m <sup>2</sup> / 2.5 m mounting height
<b>Mounting height min./max./recommended:</b>	2 m / 5 m / 2.5 m
<b>Degree / class of protection:</b>	IP20 / Class II
<b>Impact strength:</b>	IK02
<b>Measured light output:</b>	0 - 4095 Lux, Mixed light measuring
<b>Ambient temperature:</b>	-25 °C to +50 °C
<b>Housing:</b>	polycarbonate, UV-resistant

---

## Description

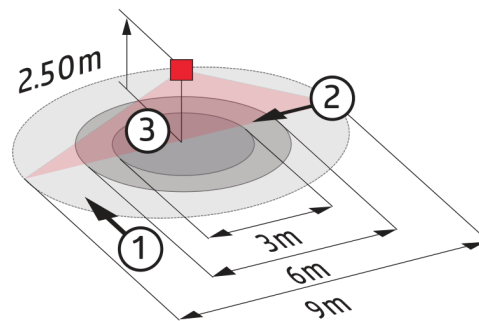
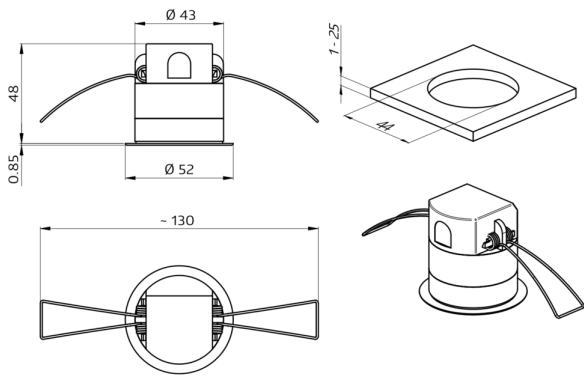
Description	Colour	Part number	EAN number
PD11-BMS-FLAT-FC DALI-2	white mat, similar to RAL9010	93542	4007529935420

---

## Accessory

Description	Colour	Part number	EAN number
In-wall mounting set / PD11	white	92833	4007529928330
52 mm	black glossy, similar to RAL9011	92537	4007529925377
Cover ring PD11	white mat, similar to RAL9010	92692	4007529926923
Square design frame PD11-FC	white mat, similar to RAL9010	92994	4007529929948

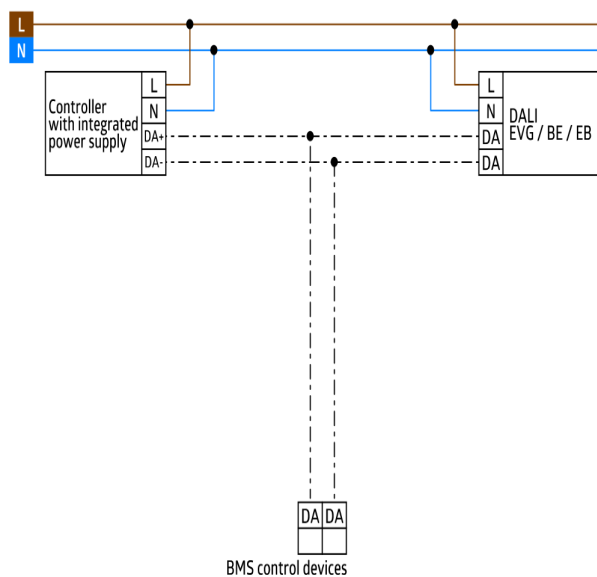
---



### Dimensions 93542

### Range diagram

- 1: Walking across
- 2: Walking towards
- 3: Seated activity



### Wiring diagrams