

DALI-LINK - Control devices

PBM-DALI-LINK-4W-BLE



- , Part No. 92732

Product Information

- DALI pushbutton module with 4 binary inputs and integrated Bluetooth gateway for hidden mounting behind flush mount switches.
- Parameterisation of the DALI-LINK solution via Bluetooth with a smartphone and the B.E.G. DALI-LINK App.
- 4 inputs for conventional push buttons, freely configurable
- Operating modes: Standard, staircase or scene mode
- Integrated buzzer to determine location of installed device
- Full range of functions can only be activated with other products of the product group B.E.G. LUXOMAT[®] net DALI-LINK
- Android - play.google.com/store/apps/details
- iOS - itunes.apple.com/de/app/b-e-g-luxomatnet-dali-link/id1342462121
- Suitable for: 93840, 93845, ...

Technical Data

Voltage:	via DALI Bus, max. 22.5 V DC
Dimensions:	38 x 38 x 14 mm
Settings:	Smartphone with DALI-LINK App (iOS / Android)
typ. power input:	7 mA
Degree / class of protection:	IP20 / Class II
Ambient temperature:	-25 °C to +50 °C

Housing: Polycarbonate

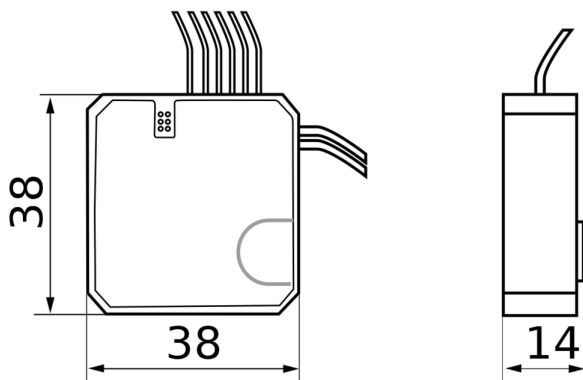
Cable length: max. 50 cm

Follow-up time: 1 min - 150 min (staircase mode only)

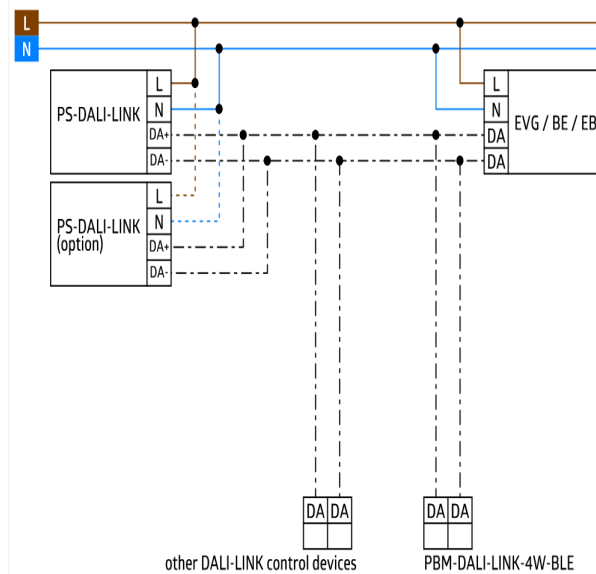
Frequency: 2.4 GHz ISM band, GFSK 3 dBm

Description

Description	Colour	Part number	EAN number
PBM-DALI-LINK-4W-BLE	-	92732	4007529927326



Dimensions 92732



Wiring diagrams

© 2023 B.E.G. Brück Electronic GmbH