

Occupancy detectors DALI Compact - 2-channel Broadcast

PD4N-M-DACO-1C DALI-2



white mat, similar to
RAL9010 , Part No. 93463

Product Information

- Occupancy detector with integrated DALI application controller for energy-efficient lighting control
- DALI-2 certified product
- Integrated DALI power supply
- DALI interface for controlling digital, dimmable ECGs in broadcast mode
- Manual switching or dimming via conventional pushbuttons
- Bidirectional IR communication enables fast integration into the project management function of the B.E.G. One app
- Complete range of functions can only be activated using the BLE-IR-Adapter and a compatible Smartphone or Tablet (Android, iOS).
- Semi-automatic, full automatic, presence-independent or light-independent mode adjustable
- Powerful switching relay for different operating modes, e.g. Cut-off function for DALI ballasts, HVAC, blackboard illumination.
- Adjustable regulation dynamics (minimum and maximum values)
- Adjustable speed and delay of the regulation
- Single master version, not networkable
- Detection area can be extended with slave devices
- Mixed light measurement with internal and external light sensor
- DALI output power can be increased with accessories
- Integrated daylight harvesting circuit (or switch output)
- Adjustable switch-on value
- Last value - Reminder function for switch-on value
- Adjustable brightness set value and reflection factor
- Indication of the current light sensor value in the B.E.G. One App

- Self-check and display of device errors in the B.E.G. One App
- Status LEDs can be activated / deactivated
- PIN code
- Corridor function - Deactivates the possibility to switch off the light via the push-button
- Number of DALI participants can be determined quickly and reliably via the B.E.G. Online DALI Line Planner
- Avoidance of standby losses of the lighting system in accordance with EnEV DIN V 18599-4
- Software is backwards compatible with the first generation (except DSI, double lock and corridor function)
- Factory setting 10 min follow-up time and 500 lux brightness set value
- Including pre-assembled spring clamp with strain relief and contact protection cap for recessed ceiling mounting
- Accessory for surface mounting available
- Accessories for wall mounting optionally available
- Further accessories for colour matching optionally available
- **Application examples:**
entrance halls, corridors/hallways, small offices, open-plan offices, conference rooms, classrooms/seminar rooms, sports halls/ storage rooms

Technical Data

Voltage:	230 V AC ±10% 50 Hz
Dimensions:	Ø 106 x 95 mm
Power consumption:	approx. 2 W
slave devices:	up to 8
Detection area:	horizontal 360° (Ceiling mounting)
Range:	max. Ø 24 m across max. Ø 8 m towards max. Ø 6.4 m seated
Monitored area (tangential movement):	450 m ² / 2.5 m mounting height
Mounting height min./max./recommended:	2 m / 10 m / 2.5 m
Degree / class of protection:	IP20 / Class II
Impact strength:	IK04
Ambient temperature:	-25 °C to +50 °C
Housing:	polycarbonate, UV-resistant
	Channel 1 (lighting control)
DALI output:	80 mA (guaranteed), 125 mA (max.), Shut-down mechanism
supported control gear:	DT0. DT5. DT6. DT7
supported control devices:	- (single master)
Follow-up time:	1 min - 150 min

Orientation light: 10 - 30 % / OFF / 5 min - 60 min / ∞

Brightness set value: 10 - 2500 Lux

Channel 2 (HVAC or lighting control)

Switching power: 2300 W, $\cos \varphi = 1$
1150 VA, $\cos \varphi = 0.5$
300 W LED
max. inrush current I_p (20 ms) = 165 A

Type of contact: 1x μ -contact, dry, bistable

Follow-up time: 5 min - 120 min, Alarm pulse, Pulse
Mixed light measuring

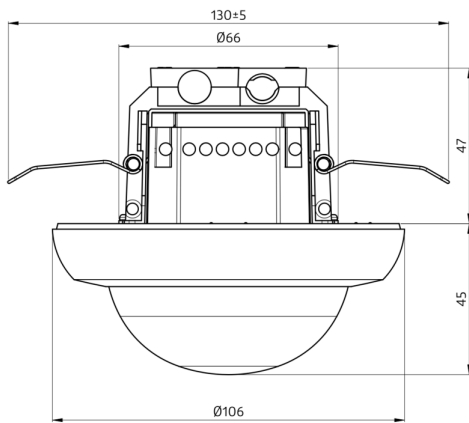
Description

Description	Colour	Part number	EAN number
PD4N-M-DACO-1C DALI-2	white mat, similar to RAL9010	93463	4007529934638

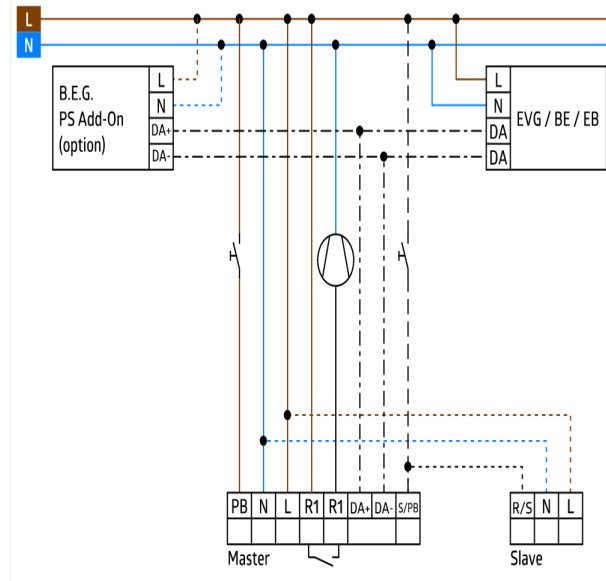
Accessory

Description	Colour	Part number	EAN number
BLE-IR-Adapter	black	93067	4007529930678
IR-Adapter for Smartphones	black	92726	4007529927265
IR-PD-DALI-1C	-	92116	4007529921164
IR-PD-DALI	-	92094	4007529920945
IR-PD-DALI-LD	-	92652	4007529926527
IR-PD-DALI-Mini	-	92112	4007529921126
SM socle mounting set IP54 PD4N H	white, similar to RAL9010	93465	4007529934652
Corridor lens PD4N type A, Cover ring	traffic white mat, similar to RAL9016	93742	4007529937424
Corridor lens PD4N type A, Cover ring	anthracite mat, similar to RAL7016	93741	4007529937417
Corridor lens PD4N type A, Cover ring	black mat, similar to RAL9005	93743	4007529937431
Corridor lens PD4N type A lens PD4N, Cover ring	white, similar to RAL9010	93073	4007529930739
lens PD4N, Cover ring	anthracite mat, similar to RAL7016	93731	4007529937318
lens PD4N, Cover ring	black mat, similar to RAL9005	93733	4007529937332

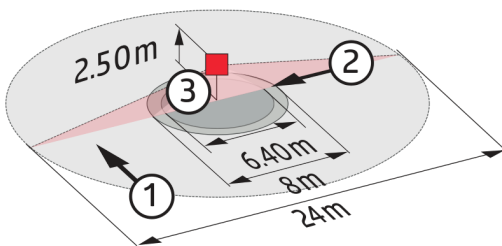
Description	Colour	Part number	EAN number
lens PD4N, Cover ring	traffic white mat, similar to RAL9016	93732	4007529937325
Wire basket BSK (Ø 200 x 90 mm)	white	92199	4007529921997
Wall holder PD2N/4N Typ A	white	93164	4007529931644
SM socket for Wall holder	white	93192	4007529931927



Dimensions 93463



Wiring diagrams



Range diagram

- 1: Walking across
- 2: Walking towards
- 3: Seated activity



