

Occupancy detectors DALI Compact - 2-channel Broadcast

PD2N-M-DACO-1C DALI-2



white mat, similar to
RAL9010 , Part No. 93455

Product Information

- Occupancy detector with integrated DALI application controller for energy-efficient lighting control
- DALI-2 certified product
- Integrated DALI power supply
- DALI interface for controlling digital, dimmable ECGs in broadcast mode
- Manual switching or dimming via conventional pushbuttons
- Bidirectional IR communication enables fast integration into the project management function of the B.E.G. One app
- Complete range of functions can only be activated using the BLE-IR-Adapter and a compatible Smartphone or Tablet (Android, iOS).
- Semi-automatic, full automatic, presence-independent or light-independent mode adjustable
- Powerful switching relay for different operating modes, e.g. Cut-off function for DALI ballasts, HVAC, blackboard illumination.
- Adjustable regulation dynamics (minimum and maximum values)
- Adjustable speed and delay of the regulation
- Single master version, not networkable
- Detection area can be extended with slave devices
- Mixed light measurement with internal and external light sensor
- DALI output power can be increased with accessories
- Integrated daylight harvesting circuit (or switch output)
- Adjustable switch-on value
- Last value - Reminder function for switch-on value
- Adjustable brightness set value and reflection factor
- Indication of the current light sensor value in the B.E.G. One App

- Self-check and display of device errors in the B.E.G. One App
- Status LEDs can be activated / deactivated
- PIN code
- Corridor function - Deactivates the possibility to switch off the light via the push-button
- Number of DALI participants can be determined quickly and reliably via the B.E.G. Online DALI Line Planner
- Avoidance of standby losses of the lighting system in accordance with EnEV DIN V 18599-4
- Software is backwards compatible with the first generation (except DSI, double lock and corridor function)
- Factory setting 10 min follow-up time and 500 lux brightness set value
- Including pre-assembled spring clamp with strain relief and contact protection cap for recessed ceiling mounting
- Accessory for surface mounting available
- **Application examples:**
small offices, open-plan offices

Technical Data

Voltage:	230 V AC ±10% 50 Hz
Dimensions:	Ø 84 x 85 mm
Power consumption:	approx. 2 W
slave devices:	up to 8
Detection area:	horizontal 360° (Ceiling mounting)
Range:	max. Ø 10 m across max. Ø 6 m towards max. Ø 4 m seated
Monitored area (tangential movement):	78 m ² / 2.5 m mounting height
Mounting height min./max./recommended:	2 m / 5 m / 2.5 m
Degree / class of protection:	IP20 / Class II
Impact strength:	IK05
Ambient temperature:	-25 °C to +50 °C
Housing:	polycarbonate, UV-resistant
	Channel 1 (lighting control)
DALI output:	80 mA (guaranteed), 125 mA (max.), Shut-down mechanism
supported control gear:	DT0. DT5. DT6. DT7
supported control devices:	- (single master)
Follow-up time:	1 min - 150 min
Orientation light:	10 - 30 % / OFF / 5 min - 60 min / ∞
Brightness set value:	10 - 2500 Lux

Channel 2 (HVAC or lighting control)

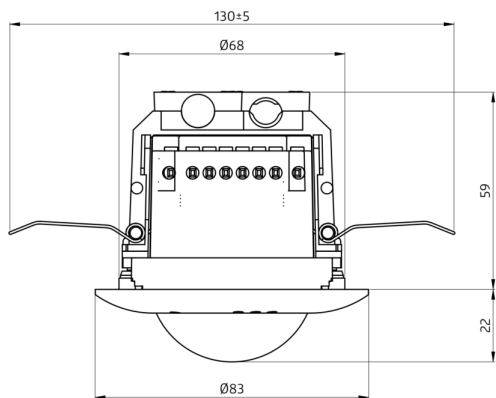
Switching power:	2300 W, $\cos \varphi = 1$ 1150 VA, $\cos \varphi = 0.5$ 300 W LED max. inrush current I_p (20 ms) = 165 A
Type of contact:	1x μ -contact, dry, bistable
Follow-up time:	5 min - 120 min, Alarm pulse, Pulse Mixed light measuring

Description

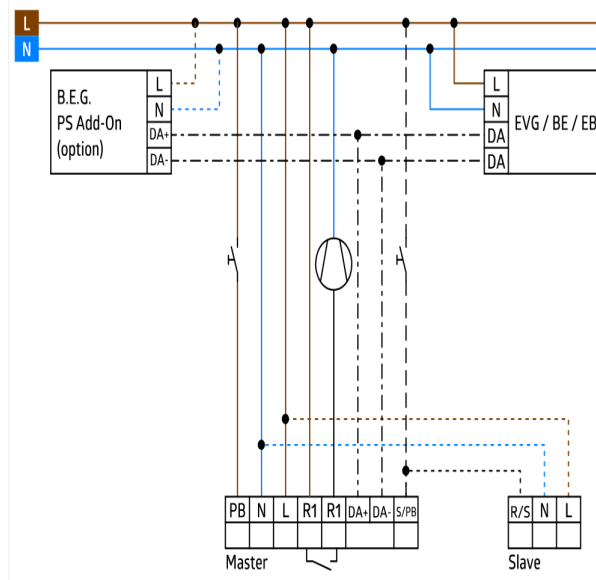
Description	Colour	Part number	EAN number
PD2N-M-DACO-1C DALI-2	white mat, similar to RAL9010	93455	4007529934553

Accessory

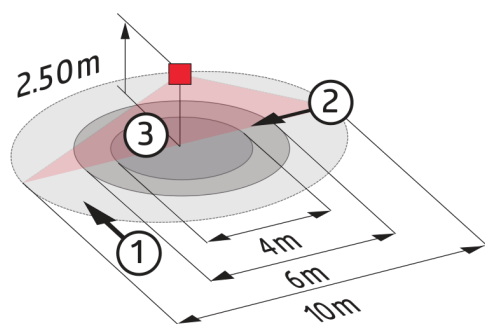
Description	Colour	Part number	EAN number
BLE-IR-Adapter	black	93067	4007529930678
IR-Adapter for Smartphones	black	92726	4007529927265
IR-PD-DALI-1C	-	92116	4007529921164
IR-PD-DALI	-	92094	4007529920945
IR-PD-DALI-LD	-	92652	4007529926527
IR-PD-DALI-Mini	-	92112	4007529921126
SM socle mounting set IP54 PD2N H	white, similar to RAL9010	93454	4007529934546
Cover ring PD2N FC	black mat, similar to RAL9005	93773	4007529937738
Cover ring PD2N FC	traffic white mat, similar to RAL9016	93772	4007529937721
Cover ring PD2N FC	anthracite mat, similar to RAL7016	93771	4007529937714
Wire basket BSK (\varnothing 200 x 90 mm)	white	92199	4007529921997
Wall holder PD2N/4N Typ A	white	93164	4007529931644
SM socket for Wall holder	white	93192	4007529931927



Dimensions 93455



Wiring diagrams



Range diagram

- 1: Walking across
- 2: Walking towards
- 3: Seated activity

