

Ceiling mounted occupancy detectors - 1-channel

PD4-M-TRIO-K-3P



white mat, similar to RAL9010 , Part No. 92746 white mat, similar to RAL9010 , Part No. 92747

Product Information

- 1-channel occupancy detector with two simultaneously operating relay outputs, which enable distribution to different phases
- The switching channel with the two relay outputs closes when the operating voltage of the detector fails, so the lighting remains on as long as the two phases of the luminaires are supplied with power.
- The device requires an operating voltage. The third phase can be used for this purpose.
- Designed for corridors
- Version as master device
- Detection area can be extended with slave devices
- Manual switching via push-button possible
- Additional functions can be set up using the optional remote control.
- There are markings to ensure correct alignment during installation
- **Application examples:**
corridors/hallways

Technical Data

Voltage:	110 - 240 V AC 50 / 60 Hz
Dimensions:	FC= Ø 117 x 100 mm SM= Ø 125 x 85 mm
Power consumption:	approx. 0.5 W
Detection area:	horizontal 360° (Ceiling mounting)

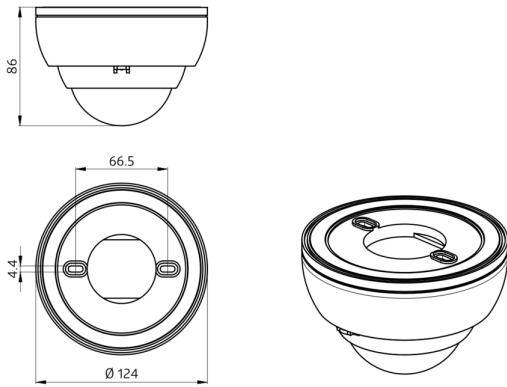
Range:	max. 40 m x 5 m across max. 20 m x 3 m towards
Monitored area (tangential movement):	250 m ² / 2.5 m mounting height
Mounting height min./max./recommended:	2.4 m / 2.6 m / 2.5 m
Degree / class of protection:	FC= IP20 / Class II SM= IP20 / Class II
Impact strength:	IK04
Ambient temperature:	-25 °C to +50 °C
Housing:	polycarbonate, UV-resistant
	Channel 1 (lighting control, potential-free (dry))
Switching power:	2300 W, cos φ = 1 1150 VA, cos φ = 0.5 300 W LED
Type of contact:	2x μ-contact, dry Contact NC with tungsten pre-make contact
Follow-up time:	15 sec - 30 min, Pulse
Switch-on threshold:	10 - 2000 Lux Mixed light measuring

Description

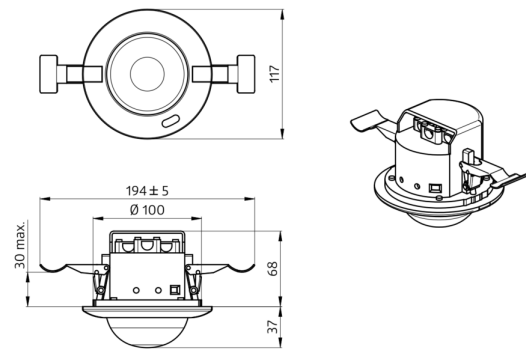
Description	Colour	Part number	EAN number
PD4-M-TRIO-C-3P-FC	white mat, similar to RAL9010	92746	4007529927463
PD4-M-TRIO-C-3P-SM	white mat, similar to RAL9010	92747	4007529927470

Accessory

Description	Colour	Part number	EAN number
IR-PD-1C	-	92520	4007529925209
IR-PD-1C-E	-	92077	4007529920778
IR-PD-Mini	-	92159	4007529921591
Wire basket BSK (Ø 200 x 90 mm)	white	92199	4007529921997
Socket IP54 PD4-TRIO-SM	white	92386	4007529923861
BLE-IR-Adapter	black	93067	4007529930678

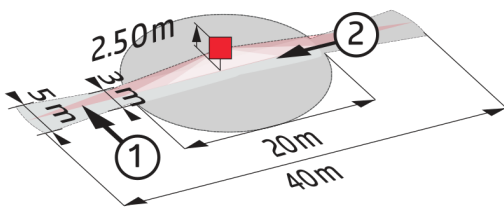


Dimensions 92747



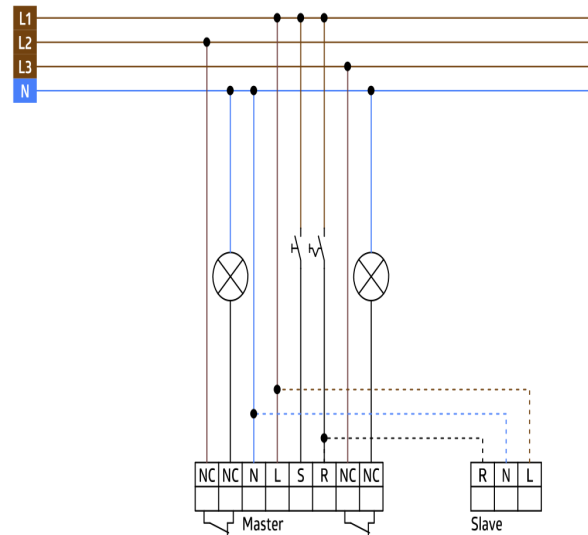
92746 PD4-M-TRIO-K-3P-DE

Dimensions 92746



Range diagram

- 1: Walking across
- 2: Walking towards



Wiring diagrams