

## Outdoor motion detectors - LC-Click

## LC-Click 200



white mat, similar to RAL9010 , Part No. 91102      black mat, similar to RAL9005 , Part No. 91122

## Product Information

- Motion detector with detection area of 200°
- Adjustable ball head
- Simple mounting thanks to plug base
- Detection area can be restricted with blinds

## Technical Data

<b>Voltage:</b>	110 - 240 V AC 50 / 60 Hz
<b>Dimensions:</b>	103 x 78 x 80 mm
<b>Power consumption:</b>	approx. 0.4 W
<b>Detection area:</b>	horizontal 200° (Wall mounting)
<b>Range:</b>	max. 12 m across max. 4 m towards
<b>Monitored area (tangential movement):</b>	250 m <sup>2</sup> / 2.5 m mounting height
<b>Mounting height min./max./recommended:</b>	2 m / 3 m / 2.5 m
<b>Degree / class of protection:</b>	IP44 / Class II
<b>Ambient temperature:</b>	-25 °C to +50 °C

**Housing:** polycarbonate, UV-resistant

**Channel 1 (lighting control)**

**Switching power:** 1000 W,  $\cos \varphi = 1$   
500 VA,  $\cos \varphi = 0.5$   
200 W LED

**Type of contact:** 1x  $\mu$ -contact, NO contact

**Follow-up time:** 4 sec - 10 min

**Switch-on threshold:** 10 - 300 Lux

---

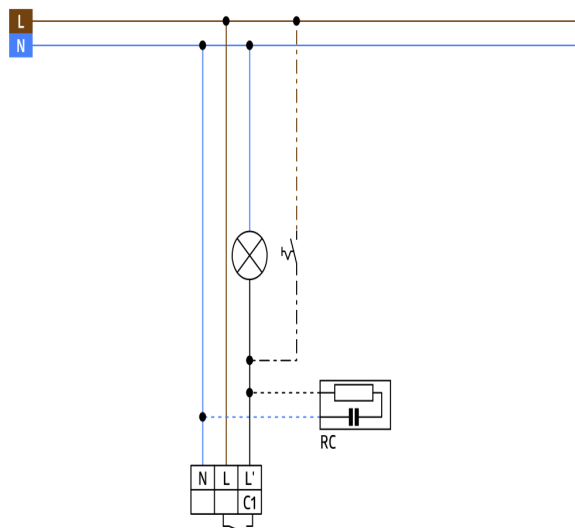
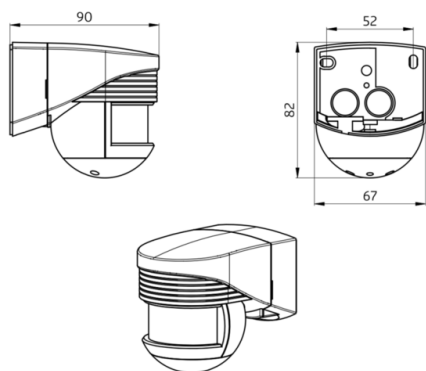
## Description

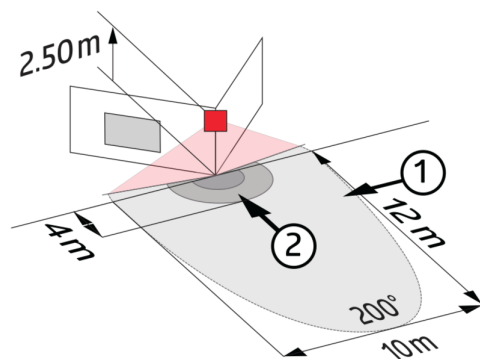
Description	Colour	Part number	EAN number
LC-Click 200	white mat, similar to RAL9010	91102	4007529911028
LC-Click 200	black mat, similar to RAL9005	91122	4007529911226

---

## Accessory

Description	Colour	Part number	EAN number
Wire basket BSK ( $\varnothing$ 164 x 143 mm)	white	92467	4007529924677
RC-Arc extinction kit	white	10880	4007529108800
Mini-RC-Arc extinction kit	black	10882	4007529108824
Surface mounting frame LC	white	91080	4007529910809
Surface mounting frame LC	black	91081	4007529910816





### Range diagram

- 1: Walking across
- 2: Walking towards

---

© 2023 B.E.G. Brück Electronic GmbH