



EyeZen TP

**Motion detector with luminosity sensor
for ceiling mounting**

ZPDEZTP

Application program version: [1.3]
User manual edition: [1.3]_a

www.zennio.com

CONTENTS

| | |
|-------------------------------------|----|
| Contents | 2 |
| 1 Introduction | 3 |
| 1.1 EyeZen TP | 3 |
| 1.2 Installation..... | 4 |
| 1.3 Start-Up and Power Loss | 5 |
| 2 Configuration..... | 6 |
| 2.1 General | 6 |
| 2.2 Presence Detector..... | 8 |
| 2.3 Logic Functions..... | 10 |
| ANNEX I. Communication Objects..... | 11 |

1 INTRODUCTION

1.1 EYEZEN TP

EyeZen TP from Zennio is a device that aims at, among other functions, the detection of presence, the measurement and control of the room luminosity and the detection of occupancy within the room where it has been installed. It has been designed for ceiling or false ceiling mounting by means of the bundled accessories.

The most outstanding features of EyeZen TP are:

- **Sensor** with configurable sensitivity.
- **LED** to indicate motion.
- **Two types of lenses:** black and white.
- **Presence detection:**
 - 6 presence detection channels.
 - Luminosity-dependent presence detection (optional).
 - Periodic and delayed sendings (binary, scene, HVAC, percentage).
- **Occupancy detection:**
 - 1x occupancy detection channel.
 - Master / slave configuration.
 - Trigger upon door opening or closing.
 - Periodic and delayed sendings (binary, scene, HVAC, percentage).
- **Luminosity measurement:**
 - Configurable correction factor and offset.
 - Periodic sending or upon value change.
- **2 constant light control** channels with configurable setpoints.
- **Day / night** configuration.
- **10** customisable, multi-operation **logic functions**.
- **Heartbeat** or periodical “still alive” notification.

1.2 INSTALLATION

EyeZen TP connects to the KNX bus through the on-board KNX connector.

Once the device is provided with power from the KNX bus, both the individual address and the associated application program may be downloaded.

This device does not need any additional external power since it is entirely powered through the KNX bus.

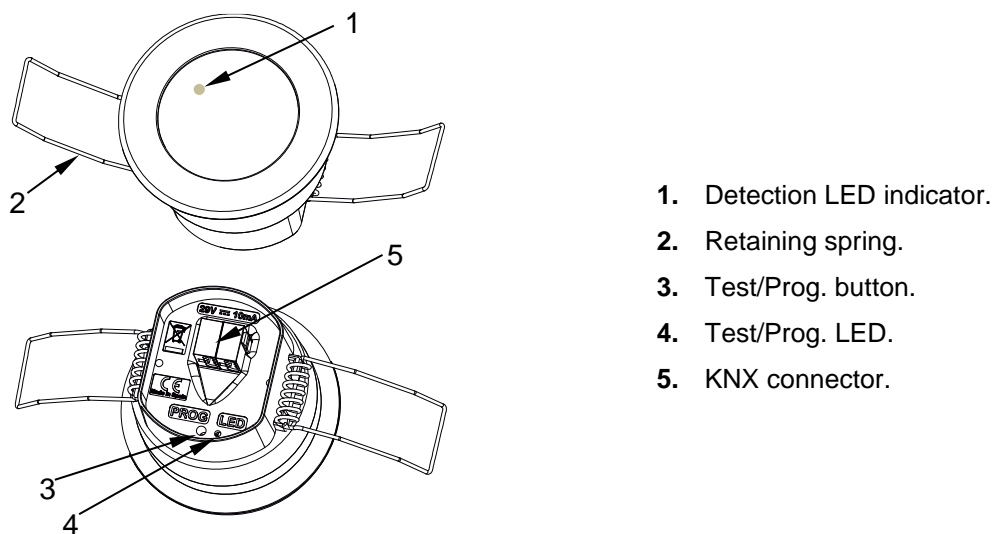


Figure 1. EyeZen TP. Elements

The main elements of the device are described next.

- **Programming button (3):** a short press on this button sets the device into the programming mode, making the associated LED (4) light in red.

Note: if this button is held while plugging the device into the KNX bus, the device will enter the **safe mode**. In such case, the LED will blink in red every 0.5 seconds.

- **Detection notification LED (1):** emits a red light flash when the sensor observes motion.

To get detailed information about the technical features of this device, as well as on the installation process and on security procedures, please refer to the corresponding **Datasheet**, bundled with the original packaging of the device and also available at www.zennio.com.

1.3 START-UP AND POWER LOSS

During the start-up of the device, the detection notification LED flashes red for **one minute** before the motion sensor is ready.

Depending on the configuration, some specific actions will also be performed during the start-up. For example, the integrator can set whether the detection channels should start up enabled or disabled.

2 CONFIGURATION

2.1 GENERAL

After importing the corresponding database in ETS and adding the device into the topology of the desired project, the configuration process begins by entering the parameters window of the device.

ETS PARAMETERISATION

From **General** screen it is possible to activate/deactivate all the required functionality.

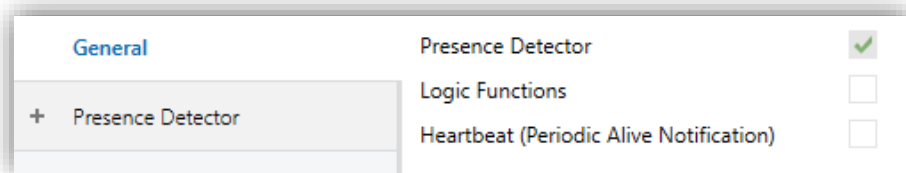


Figure 2. General

- **Presence Detection** [[enabled](#)]¹: enables the “Presence Detector” tab in the tree on the left. For more information, see section 2.2.
- **Logic Functions** [[enabled/disabled](#)] enables or disables the “Logic Functions” tab in the tree on the left. For more information, see section 2.3.
- **Heartbeat (Periodic Alive Notification)** [[enabled/disabled](#)]: incorporates a one-bit object to the project (“**[Heartbeat] Object to Send ‘1’**”) that will be sent periodically with a value of “1” to notify that the device is still working (still alive).

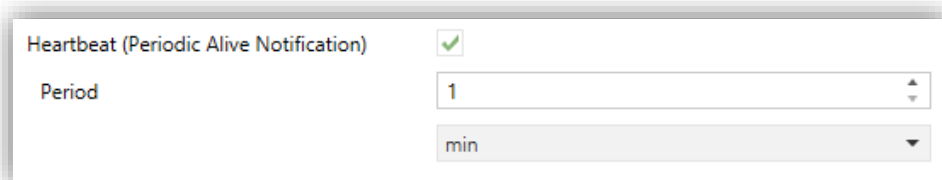


Figure 3. Heartbeat

¹ The default values of each parameter will be highlighted in blue in this document, as follows: [[default/rest of options](#)].

Note: *the first sending after download or bus failure takes place with a delay of up to 255 seconds, to prevent bus overload. The following sendings match the period set.*

2.2 PRESENCE DETECTOR

EyeZen TP incorporates six independent presence detection channels, two more for constant light control and one for occupancy detection.

- **Presence detection** consists in sending objects to the bus whenever the device observes a moving body (or no longer observes it) in the environment of the room where it has been installed.
- **Constant light control** consists in sending KNX orders to the dimmer device that controls the in-room luminaries so the ambient light level remains constant even if other light sources are present.
- **Occupancy detection** is an algorithm that allows determining whether a particular space is under occupation no matter if the occupant moves or not (i.e., no matter if the device is detecting presence in the room or not).

It also allows setting different luminosity setpoints or object types for **daytime and night time** as well as activating or deactivating the **motion indicator LEDs**.

EyeZen TP can also set custom **sensitivity** of the motion sensor and measure the **luminosity** of the room by making certain adjustments. This measurement will be made according to the **type of lens** selected.

Please refer to the specific manual “**Presence Detector**” available in EyeZen TP product section at the Zennio website (www.zennio.com) for detailed information about the functionality and the configuration of the related parameters.

ETS PARAMETERISATION

In **Presence Detector** screen, additional to the parameters of this functionality, lens type parameter is included.

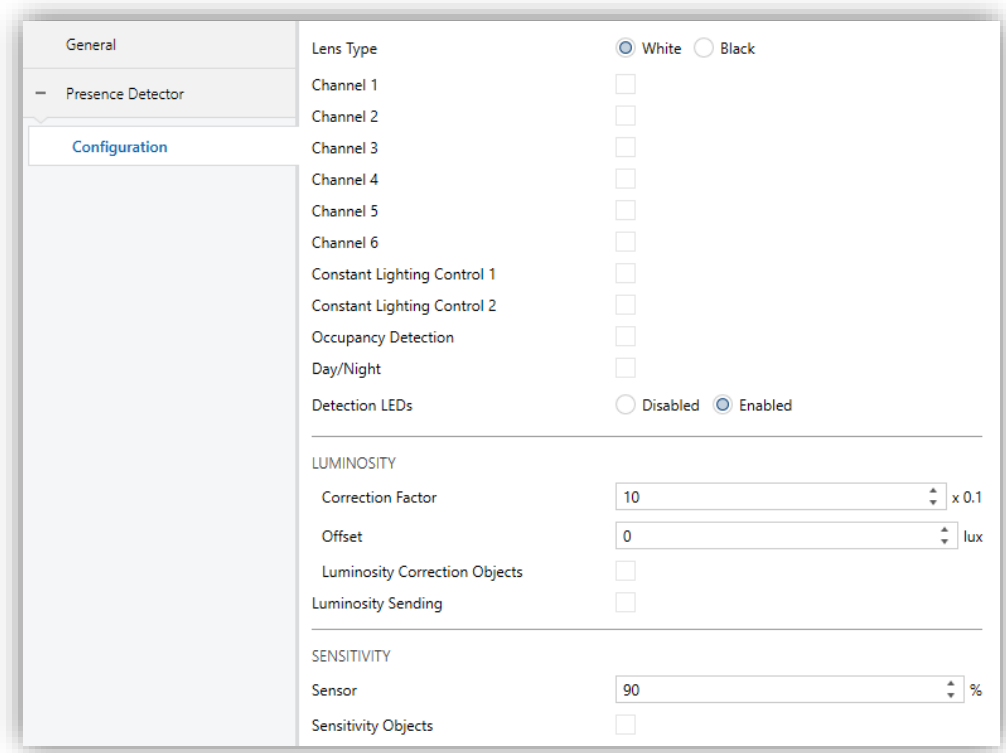


Figure 4. Presence Detector. Configuration.

- **Lens Type** [*White / Black*]. Selecting the lens type that EyeZen TP has installed, will allow a correct measurement of luminosity through the sensor.

2.3 LOGIC FUNCTIONS

This module makes it possible to perform numeric and binary operations to incoming values received from the KNX bus, and to send the results through other communication objects specifically enabled for this purpose.

EyeZen TP can implement up to **10 different and independent functions**, each of them entirely customisable and consisting of **up to 4 consecutive operations**.

The execution of each function can depend on a configurable **condition**, which will be evaluated every time the function is **triggered** through specific, parameterisable communication objects. The result after executing the operations of the function can also be evaluated according to certain **conditions** and afterwards sent (or not) to the KNX bus, which can be done every time the function is executed, periodically or only when the result differs from the last one.

Please refer to the “**Logic Functions**” user manual available under the EyeZen TP product section at the Zennio homepage (www.zennio.com) for detailed information about the functionality and the configuration of the related parameters.

ANNEX I. COMMUNICATION OBJECTS

- “Functional range” shows the values that, with independence of any other values permitted by the bus according to the object size, may be of any use or have a particular meaning because of the specifications or restrictions from both the KNX standard or the application program itself.

| Number | Size | I/O | Flags | Data type (DPT) | Functional Range | Name | Function |
|--------|---------|-----|-----------|-----------------------|--|-------------------------------------|--|
| 1 | 1 Bit | | C - - T - | DPT_Trigger | 0/1 | [Heartbeat] Object to Send '1' | Sending of '1' Periodically |
| 2 | 1 Byte | I | C - W - - | DPT_SceneNumber | 0 - 63 | Scene Input | Scene Value |
| 3 | 1 Byte | | C - - T - | DPT_SceneControl | 0-63; 128-191 | Scene Output | Scene Value |
| 4 | 2 Bytes | I/O | C R W - - | DPT_Coefficient | 0 - 80 | Correction Factor - Internal Sensor | [0, 80] x0.1 |
| 5 | 2 Bytes | I/O | C R W - - | DPT_Luminosity_Offset | -200 - 200 | Offset - Internal Sensor | [-200, 200] Luxes |
| 6 | 2 Bytes | O | C R - T - | DPT_Value_Lux | 0 - 2000 | Luminosity - Internal Sensor | Luxes |
| 10 | 1 Bit | I | C - W - - | DPT_DayNight | 0/1 | Day/Night | 0 = Day; 1 = Night |
| | 1 Bit | I | C - W - - | DPT_DayNight | 0/1 | Day/Night | 0 = Night; 1 = Day |
| 11 | 1 Bit | I | C - W - - | DPT_Enable | 0/1 | Detection LED | 0 = Disable; 1 = Enable |
| | 1 Bit | I | C - W - - | DPT_Enable | 0/1 | Detection LED | 0 = Disable; 1 = Enable Only During the Day |
| 12 | 1 Byte | O | C R - T - | DPT_Scaling | 0% - 100% | Occupancy: Output (Scaling) | 0-100% |
| 13 | 1 Byte | O | C R - T - | DPT_HVACMode | 1=Comfort 2=Standby 3=Economy 4=Building Protection | Occupancy: Output (HVAC) | Auto, Comfort, Standby, Economy, Building Protection |
| 14 | 1 Bit | O | C R - T - | DPT_Switch | 0/1 | Occupancy: Output (Binary) | Binary Value |
| | 1 Bit | | C - - T - | DPT_Trigger | 1 | Occupancy: Slave Output | 1 = Motion Detected |
| 15 | 1 Bit | I | C - W - - | DPT_Window_Door | 0/1 | Occupancy: Trigger | Binary Value to Trigger the Occupancy Detection |
| 16 | 1 Bit | I | C - W - - | DPT_Trigger | 0/1 | Occupancy: Slave Input | 0 = 1 = Detection from slave device |
| 17 | 2 Bytes | I | C - W - - | DPT_TimePeriodSec | 0 - 65535 | Occupancy: Waiting Time | 0-65535 s. |
| 18 | 2 Bytes | I | C - W - - | DPT_TimePeriodSec | 1 - 65535 | Occupancy: Listening Time | 1-65535 s. |
| 19 | 1 Bit | I | C - W - - | DPT_Enable | 0/1 | Occupancy: Lock | 0 = Unlock; 1 = Lock |
| | 1 Bit | I | C - W - - | DPT_Enable | 0/1 | Occupancy: Lock | 0 = Lock; 1 = Unlock |
| 20 | 1 Bit | O | C R - T - | DPT_Occupancy | 0/1 | Occupancy: Occupancy State | 0 = Not Occupied; 1 = Occupied |
| 21 | 1 Byte | I | C - W - - | DPT_Scaling | 0% - 100% | Sensor Sensitivity | 1-100% |

| | | | | | | | |
|------------------------|---------|-----|-----------|---------------------|--|---|--|
| 25, 35, 45, 55, 65, 75 | 1 Bit | I | C - W - - | DPT_Trigger | 0/1 | [Cx] External Motion Detection | 0 = 1 = Motion detected by an external sensor |
| 26, 36, 46, 56, 66, 76 | 1 Byte | O | C R - T - | DPT_Scaling | 0% - 100% | [Cx] Output (Scaling) | 0-100% |
| 27, 37, 47, 57, 67, 77 | 1 Byte | O | C R - T - | DPT_HVACMode | 1=Comfort 2=Standby 3=Economy 4=Building Protection | [Cx] Output (HVAC) | Auto, Comfort, Standby, Economy, Building Protection |
| 28, 38, 48, 58, 68, 78 | 1 Bit | O | C R - T - | DPT_Switch | 0/1 | [Cx] Output (Binary) | Binary Value |
| 29, 39, 49, 59, 69, 79 | 1 Bit | I | C - W - - | DPT_Enable | 0/1 | [Cx] Lock Status | 0 = Unlock; 1 = Lock |
| | 1 Bit | I | C - W - - | DPT_Enable | 0/1 | [Cx] Lock Status | 0 = Lock; 1 = Unlock |
| 30, 40, 50, 60, 70, 80 | 1 Bit | I | C - W - - | DPT_Switch | 0/1 | [Cx] Force State | 0 = No Detection; 1 = Detection |
| 31, 41, 51, 61, 71, 81 | 1 Bit | I | C - W - - | DPT_Switch | 0/1 | [Cx] External Switch | 0 = No Detection; 1 = Detection |
| 32, 42, 52, 62, 72, 82 | 2 Bytes | I/O | C R W - - | DPT_TimePeriodSec | 1 - 65535 | [Cx] Length of Detection | 1-65535 s. |
| 85, 101 | 1 Bit | I | C - W - - | DPT_Trigger | 0/1 | [CLCx] External Motion Detection | 0 = 1 = Motion detected by an external sensor |
| 86, 102 | 1 Bit | I | C - W - - | DPT_Enable | 0/1 | [CLCx] Lock Status | 0 = Unlock; 1 = Lock |
| | 1 Bit | I | C - W - - | DPT_Enable | 0/1 | [CLCx] Lock Status | 0 = Lock; 1 = Unlock |
| 87, 103 | 1 Bit | I | C - W - - | DPT_Switch | 0/1 | [CLCx] Force State | 0 = No Detection; 1 = Detection |
| 88, 104 | 1 Bit | I | C - W - - | DPT_Switch | 0/1 | [CLCx] External Switch | 0 = No Detection; 1 = Detection |
| 89, 105 | 2 Bytes | I | C - W - - | DPT_Value_Lux | 1 - 2000 | [CLCx] Setpoint | Setpoint Value (1-2000) |
| | 2 Bytes | I | C - W - - | DPT_Value_Lux | 1 - 2000 | [CLCx] Setpoint During Day | Setpoint Value (1-2000) |
| 90, 106 | 2 Bytes | I | C - W - - | DPT_Value_Lux | 1 - 2000 | [CLCx] Setpoint During Night | Setpoint Value (1-2000) |
| 91, 107 | 1 Byte | O | C R - T - | DPT_Scaling | 0% - 100% | [CLCx] Dimming Value | Dimming Value (%) |
| 92, 108 | 2 Bytes | I/O | C R W - - | DPT_TimePeriodSec | 1 - 65535 | [CLCx] Length of Detection | 1-65535 s. |
| 94, 110 | 1 Bit | I | C - W - - | DPT_Switch | 0/1 | [CLCx] Manual Control: On/Off (Input) | 1-Bit Control |
| 95, 111 | 4 Bit | I | C - W - - | DPT_Control_Dimming | 0x0 (Stop) 0x1 (Dec. by 100%) ... 0x7 (Dec. by 1%) 0x8 (Stop) 0xD (Inc. by 100%) ... 0xF (Inc. by 1%) | [CLCx] Manual Control: Relative Dimming (Input) | 4-Bit Control |
| 96, 112 | 1 Byte | I | C - W - - | DPT_Scaling | 0% - 100% | [CLCx] Manual Control: Absolute Dimming (Input) | 1-Byte Control |
| 97, 113 | 1 Bit | O | C R - T - | DPT_Switch | 0/1 | [CLCx] Manual Control: On/Off (Output) | 1-Bit Control |

| | | | | | | | |
|--|---------|---|------------------|---------------------|--|--|---------------------------|
| 98, 114 | 4 Bit | O | C R - T - | DPT_Control_Dimming | 0x0 (Stop) 0x1 (Dec. by 100%) ... 0x7 (Dec. by 1%) 0x8 (Stop) 0xD (Inc. by 100%) ... 0xF (Inc. by 1%) | [CLCx] Manual Control: Relative Dimming (Output) | 4-Bit Control |
| 99, 115 | 1 Bit | I | C - W - - | DPT_Enable | 0/1 | [CLCx] Manual Control | 0 = Disable; 1 = Enable |
| 100, 116 | 1 Bit | O | C R - T - | DPT_Enable | 0/1 | [CLCx] Manual Control (Status) | 0 = Disabled; 1 = Enabled |
| 134, 135, 136, 137, 138, 139, 140, 141, 142, 143, 144, 145, 146, 147, 148, 149, 150, 151, 152, 153, 154, 155, 156, 157, 158, 159, 160, 161, 162, 163, 164, 165 | 1 Bit | I | C - W - - | DPT_Bool | 0/1 | [LF] (1-Bit) Data Entry x | Binary Data Entry (0/1) |
| 166, 167, 168, 169, 170, 171, 172, 173, 174, 175, 176, 177, 178, 179, 180, 181 | 1 Byte | I | C - W - - | DPT_Value_1_Ucount | 0 - 255 | [LF] (1-Byte) Data Entry x | 1-Byte Data Entry (0-255) |
| 182, 183, 184, 185, 186, 187, 188, 189, 190, 191, 192, 193, 194, 195, 196, 197 | 2 Bytes | I | C - W - - | DPT_Value_2_Ucount | 0 - 65535 | [LF] (2-Byte) Data Entry x | 2-Byte Data Entry |
| | | | | DPT_Value_2_Count | -32768 -32767 | | |
| | | | | 9.xxx | -671088.64 - 670433.28 | | |
| 198, 199, 200, 201, 202, 203, 204, 205 | 4 Bytes | I | C - W - - | DPT_Value_4_Count | -2147483648 - 2147483647 | [LF] (4-Byte) Data Entry x | 4-Byte Data Entry |
| 206, 207, 208, 209, 210, 211, 212, 213, 214, 215 | 1 Bit | O | C R - T - | DPT_Bool | 0/1 | [LF] Function x - Result | (1-Bit) Boolean |
| | 1 Byte | O | C R - T - | DPT_Value_1_Ucount | 0 - 255 | [LF] Function x - Result | (1-Byte) Unsigned |
| | 2 Bytes | O | C R - T - | DPT_Value_2_Ucount | 0 - 65535 | [LF] Function x - Result | (2-Byte) Unsigned |
| | 4 Bytes | O | C R - T - | DPT_Value_4_Count | -2147483648 - 2147483647 | [LF] Function x - Result | (4-Byte) Signed |
| | 1 Byte | O | C R - T - | DPT_Scaling | 0% - 100% | [LF] Function x - Result | (1-Byte) Percentage |
| | 2 Bytes | O | C R - T - | DPT_Value_2_Count | -32768 - 32767 | [LF] Function x - Result | (2-Byte) Signed |
| | 2 Bytes | O | C R - T - | 9.xxx | -671088.64 - 670433.28 | [LF] Function x - Result | (2-Byte) Float |

Join and send us your inquiries
about Zennio devices:

<http://support.zennio.com>

Zennio Avance y Tecnología S.L.

C/ Río Jarama, 132. Nave P-8.11
45007 Toledo (Spain).

Tel. +34 925 232 002.

www.zennio.com
info@zennio.com



RoHS