

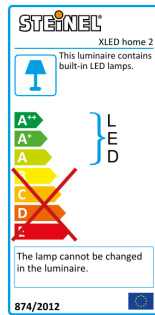
Sensor-switched LED floodlight

# XLED home 2

V2 Silver

EAN 4007841 033057

**STEINEL**<sup>®</sup>  
Intelligent technology



**LED**

**14w**



3000K warm-white



infrared sensor  
180°



max. 10 m



IP44



180° horizontal,  
180° vertical



180° horizontal,  
90° vertical



2 - 2000 lux



8 sec - 35 min

## Function description

Top seller. Now even better. XLED home 2 sensor-switched outdoor floodlight for even more safety and security. Fully swivelling LED panel in classy stainless-steel look. For the most exacting of demands on design and maximum lighting convenience. 1484 lm at a power consumption of only 14 W. Swivelling precision IR sensor (horizontally: 180°, vertically: 90°). 180° angle of coverage, 10 m reach, 3000 K. High thermal conductivity magnesium composite cooling system (HCMC).

## Technical specifications

Dimensions (L x W x H)	194 x 180 x 161 mm
Mains power supply	220 – 240 V / 50 – 60 Hz
Mounting height max.	4,00 m
Sensor Technology	passive infrared
Output	14 W
Interconnection	Yes
Type of interconnection	Sensor/slave
Interconnection, number	maximum of 10 floodlights
Luminous flux	1484 lm
Colour temperature	3000 K
Colour variation LED	SDCM3
Colour Rendering Index CRI	80-89
With lamp	Yes, STEINEL LED system
Lamp	LED cannot be replaced
LED life expectancy (max. °C)	50000 h
Drop in luminous flux in accordance with LM80	L70B10
LED cooling system	HCMC (High Conductive Magnesium Composite)
With motion detector	Yes
Detection angle	180 °

Sneak-by guard	Yes
Capability of masking out individual segments	Yes
Reach, radial	r = 5 m (39 m <sup>2</sup> )
Photo-cell controller	Yes
Twilight setting	2 – 2000 lx
Time setting	8 s – 35 Min.
Basic light level function	No
Soft light start	No
Impact resistance	IK03
IP-rating	IP44
Protection class	II
Ambient temperature	-20 – 40 °C
Housing material	HCMC
Cover material	Plastic, opal
Manufacturer's Warranty	5 years
PU1, net weight	0,575 kg
Version	Silver
PU1, EAN	4007841033057

<https://www.steinell.de>

Sensor-switched LED floodlight

# XLED home 2

V2 Silver

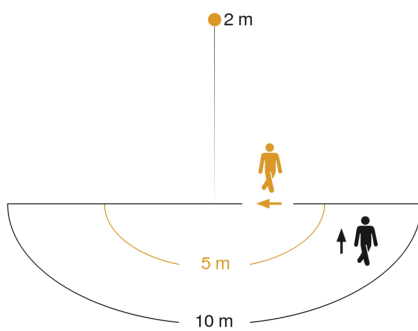
EAN 4007841 033057



## Accessories

EAN 4007841 053109 Corner wall mount XLED home 2

## Detection Zone

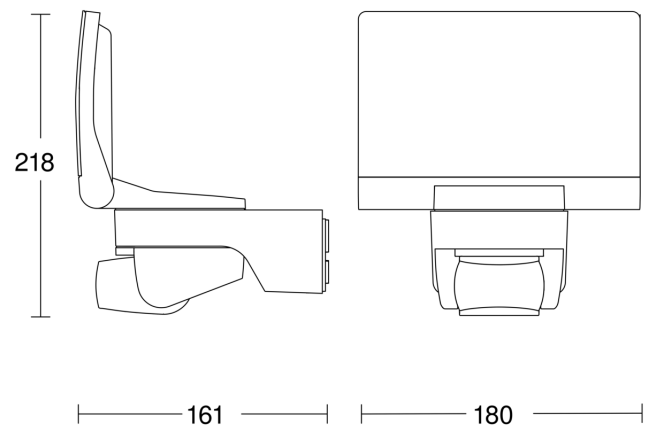


Mögliche Montagehöhe: 1,80 m – 4,00 m

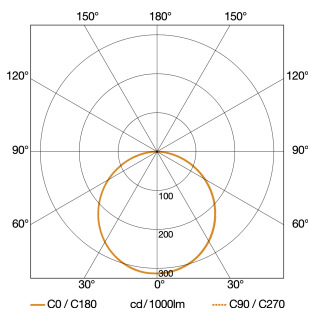
Orange: radial

Schwarz: tangential

## Dimension Drawing

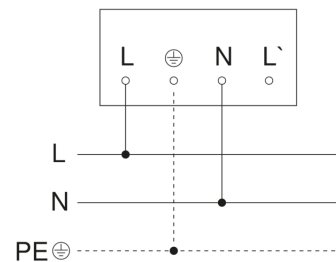


## Light Distribution Curve



Output	14 W
With lamp	Yes, STEINEL LED system
Lamp	LED cannot be replaced
Luminous flux	1484 lm
Colour temperature	3000 K
Colour Rendering Index CRI	80-89
LED life expectancy (max. °C)	50000 h
LED cooling system	HCMC (High Conductive Magnesium Composite)

## Master circuit diagram



Sensor-switched LED floodlight

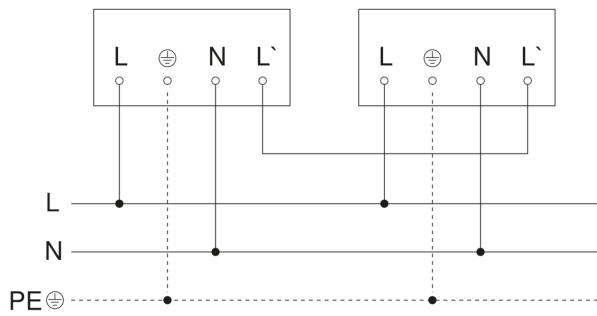
# XLED home 2

V2 Silver

EAN 4007841 033057



Master/master interconnection circuit diagram



Master/slave interconnection circuit diagram

