

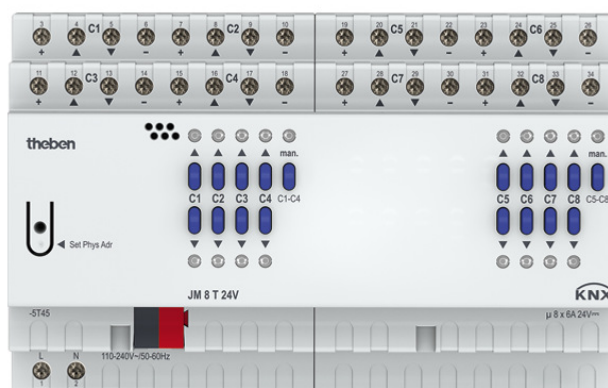
JM 8 T 24V KNX

Item no.: 4940265

Home and Building control
KNX

Description

- 8-way blind actuator 24V FIX2
- For controlling 24V drives for blinds, shutters, sun and vision protection devices, skylights and ventilation flaps
- Manual operation on device (even without bus connection)
- LED Up and Down switching status display for each channel
- Potential-free contacts for Up and Down per channel
- Copy function for fast configuration

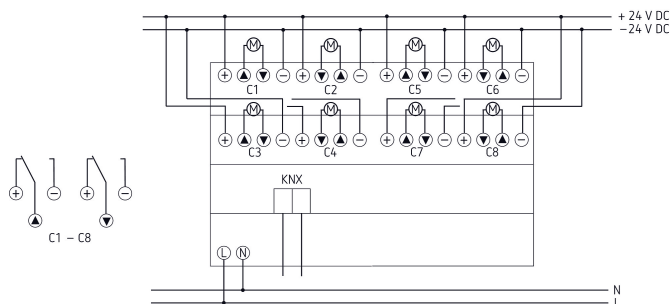


Technical data

| JM 8 T 24V KNX | |
|-----------------------|---|
| Operating voltage KNX | Bus voltage, ~4 mA |
| Operating voltage | 110 – 240 V AC 50 – 60 Hz |
| Stand-by consumption | ~0.5 W |
| Frequency | 50 – 60 Hz |
| Number of channels | 8 |
| Width | 8 modules |
| Installation type | DIN rail |
| Type of connection | Terminal screws Bus connection: KNX bus terminal |

| JM 8 T 24V KNX | |
|--------------------------|---|
| Max. cable cross section | Solid wire: 0.5 mm ² (Ø 0.8) to 6 mm ² Stranded wire with end sleeve: 0.5 mm ² to 4 mm ² |
| Output | Changeover contact, 6 A |
| Switching capacity | 6 A at 24 V DC |
| Switching output | Potential-free, for SELV, if the whole device switches SELV |
| Ambient temperature | -5°C ... 45°C |
| Type of protection | IP 20 |
| Protection class | II according to EN 60 730-1 |

Connection example



Subject to technical changes and misprints

additional information at: www.theben.de/product/4940265

The load data are determined with exemplary selected illuminants and are therefore typical data due to the large number of available products.

03/06/2023

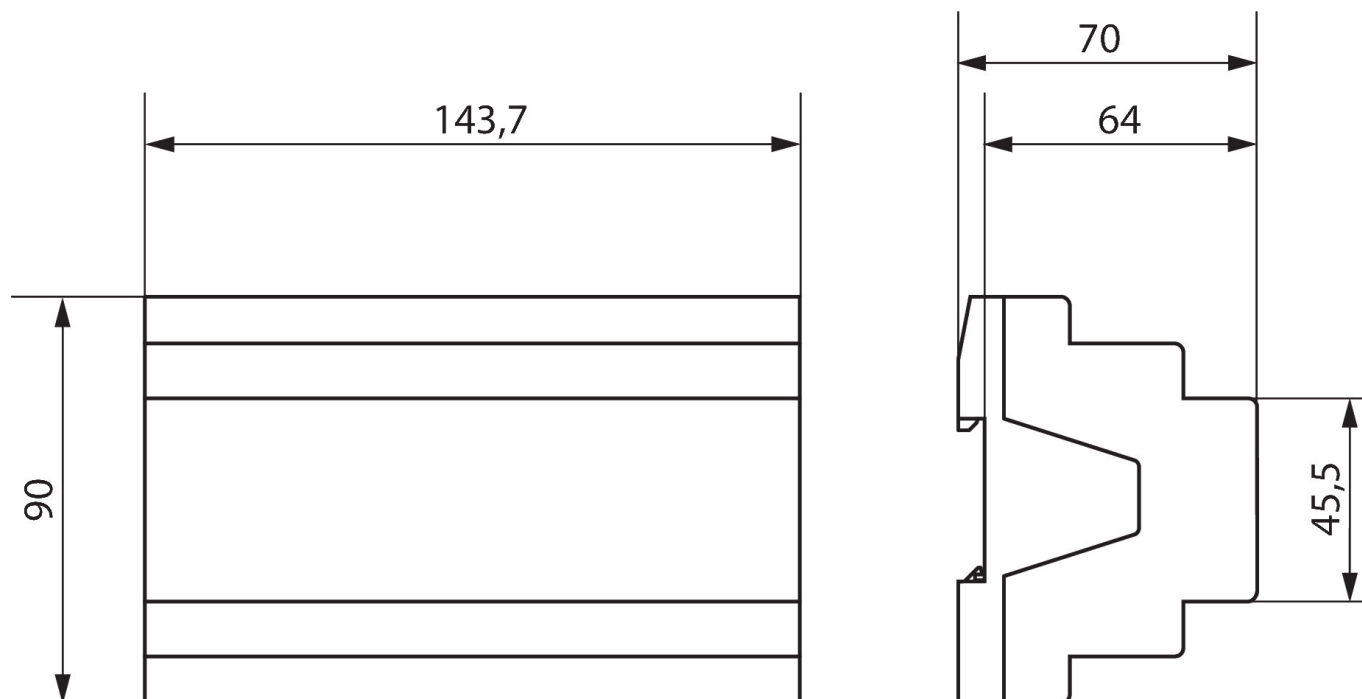
Page 1 of 2

JM 8 T 24V KNX

Item no.: 4940265



Scale drawings



Subject to technical changes and misprints

additional information at: www.theben.de/product/4940265

The load data are determined with exemplary selected illuminants and are therefore typical data due to the large number of available products.

03/06/2023

Page 2 of 2