

LUXORliving IP1

Item no.: 4800495

theben

Home and Building control
LUXORliving

Description

- System Center LUXORliving
- With Ethernet interface
- Download of the installation software LUXORplug at <https://luxorliving.de/luxorplug>



Technical data

	LUXORliving IP1
Operating voltage	12 – 30 V DC
Stand-by consumption	<1.5 W
Installation type	DIN rail
Width	2 modules

	LUXORliving IP1
Type of protection	IP 20
Protection class	III

Subject to technical changes and misprints

additional information at: www.theben.de/product/4800495

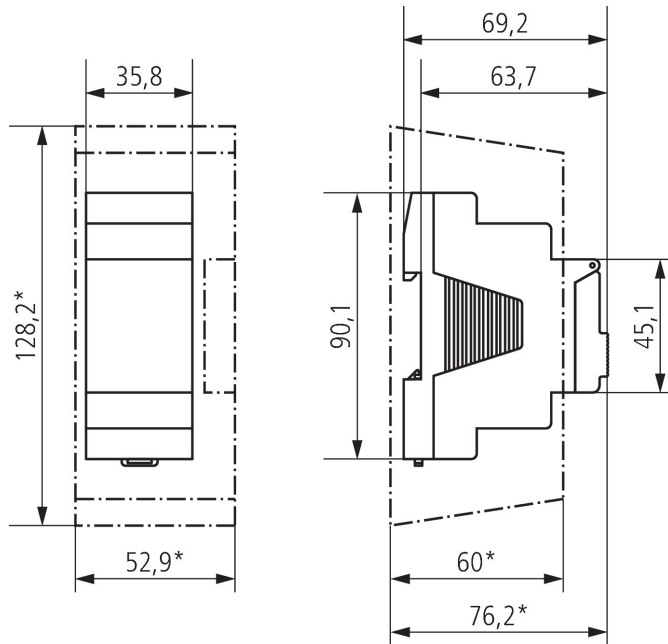
The load data are determined with exemplary selected illuminants and are therefore typical data due to the large number of available products.

LUXORliving IP1

Item no.: 4800495

theben

Scale drawings



Subject to technical changes and misprints

additional information at: www.theben.de/product/4800495

The load data are determined with exemplary selected illuminants and are therefore typical data due to the large number of available products.

31/08/2023

Page 2 of 2