

LUXORliving J8

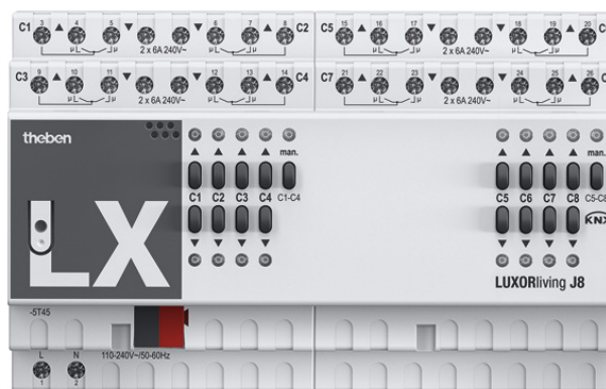
Item no.: 4800455



Home and Building control
LUXORliving

Description

- 8-way blind actuator LUXORliving
- For controlling drives for blinds, shutters, sun and vision protection devices
- Manual operation on device
- LED Up and Down switching status display for each channel
- Download of the installation software LUXORplug at <https://luxorliving.de/luxorplug>

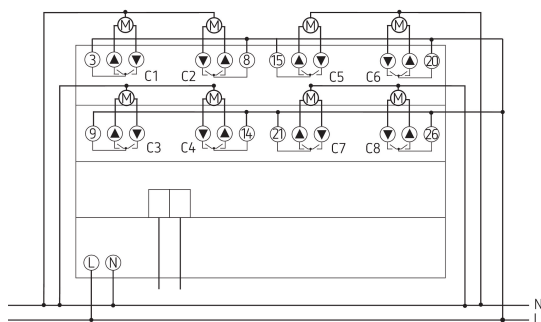


Technical data

| LUXORliving J8 | |
|-----------------------|----------------|
| Operating voltage KNX | <10 mA |
| Operating voltage | 110 – 240 V AC |
| Stand-by consumption | <0.5 W |
| Number of channels | 8 |
| Width | 8 modules |
| Installation type | DIN rail |

| LUXORliving J8 | |
|--------------------|-------------------------------------------------------------|
| Output | NO contact, 6 A |
| Switching output | Potential-free, for SELV, if the whole device switches SELV |
| Type of protection | IP 20 |
| Protection class | II according to EN 60 669 |

Connection example



Subject to technical changes and misprints

additional information at: www.theben.de/product/4800455

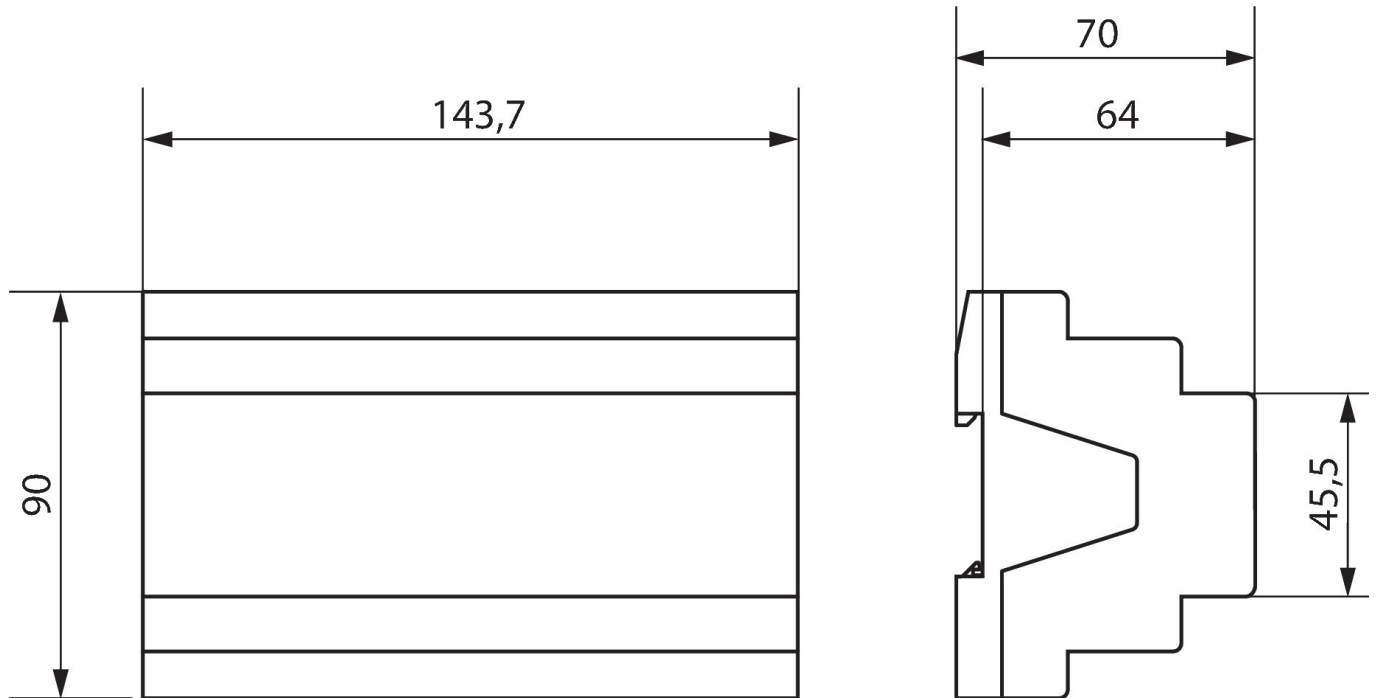
The load data are determined with exemplary selected illuminants and are therefore typical data due to the large number of available products.

LUXORliving J8

Item no.: 4800455

theben

Scale drawings



Subject to technical changes and misprints

additional information at: www.theben.de/product/4800455

The load data are determined with exemplary selected illuminants and are therefore typical data due to the large number of available products.

31/08/2023

Page 2 of 2