

DALI-SYS - Control devices

PD4N-DALI-SYS



white mat, similar to
RAL9010 , Part No. 93340

Product Information

- Wide motion detection range DALI multisensor
- Powered via DALI bus
- Seamless integration in B.E.G. LUXOMAT[®] net DALI-SYS
- Bright LED indication for commissioning
- Detection area can be extended thanks to master-slave-mode
- Mixed light measurement with internal and external light sensor
- Semi-automatic, full-automatic or twilight switch mode
- Integrated daylight harvesting circuit (or switch output)
- Guided Light, Soft-Start PLUS, Orientation light PLUS
- Works out-of-the box for easy installation check
- Full range of functions can only be activated with other products of the product group B.E.G. LUXOMAT[®] net DALI-SYS
- Suitable for mounting in false ceilings and flush-mounting
- Accessory for surface mounting available
- **Application examples:**
staircases, small offices, open-plan offices, conference rooms, classrooms/seminar rooms, sports halls/
storage rooms

Technical Data

Voltage: via DALI Bus, max. 22.5 V DC

Dimensions: Ø 106 x 68 mm

Settings:	B.E.G. DALI-SYS ROUTER / B.E.G. DALI-SYS PC-Tools
typ. power input:	7 mA
Detection area:	horizontal 360° (Ceiling mounting)
Range:	max. Ø 24 m across max. Ø 8 m towards max. Ø 6.4 m seated
Monitored area (tangential movement):	450 m ² / 2.5 m mounting height
Mounting height min./max./recommended:	2 m / 10 m / 2.5 m
Degree / class of protection:	IP20 / Class II
Impact strength:	IK04
Ambient temperature:	-25 °C to +55 °C
Housing:	polycarbonate, UV-resistant
Follow-up time:	1 sec - 120 min
Orientation light:	5 - 100 % / 1 min - 120 min / ∞
Brightness set value:	10 - 2500 Lux Mixed light measuring

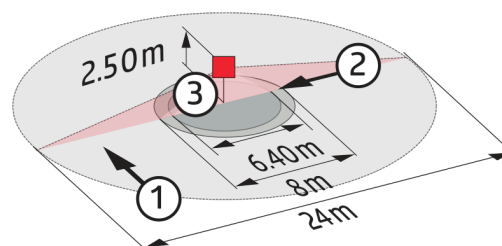
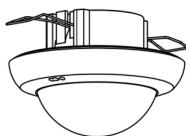
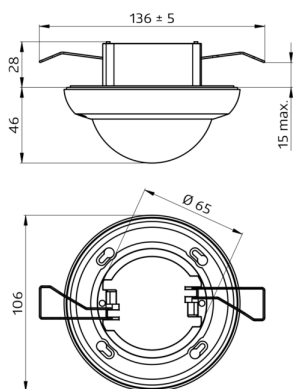
Description

Description	Colour	Part number	EAN number
PD4N-DALI-SYS	white mat, similar to RAL9010	93340	4007529933402

Accessory

Description	Colour	Part number	EAN number
SM socle mounting set IP54 PD2N- / PD4N-FM	black mat, similar to RAL9005	93753	4007529937530
SM socle mounting set IP54 PD2N- / PD4N-FM	traffic white mat, similar to RAL9016	93752	4007529937523
SM socle mounting set IP54 PD2N- / PD4N-FM	anthracite mat, similar to RAL7016	93751	4007529937516
SM socle mounting set IP54 PD2N- / PD4N-FM	white	93307	4007529933075
Corridor lens PD4N type A	white, similar to RAL9010	93073	4007529930739
Corridor lens PD4N type A, Cover ring	traffic white mat, similar to RAL9016	93742	4007529937424

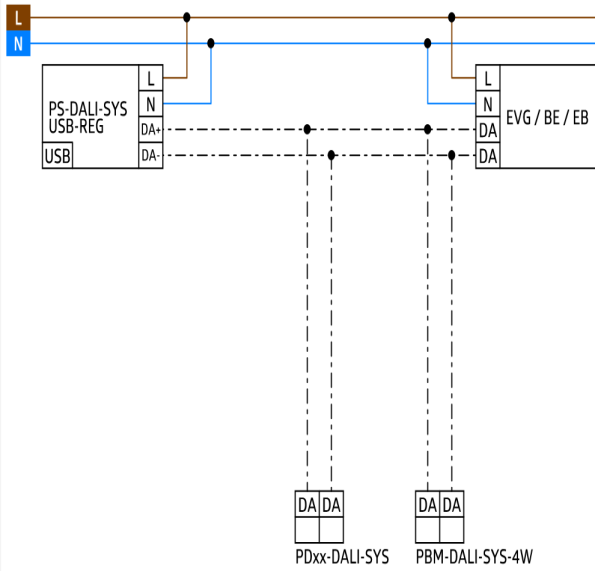
Description	Colour	Part number	EAN number
Corridor lens PD4N type A, Cover ring	anthracite mat, similar to RAL7016	93741	4007529937417
Corridor lens PD4N type A, Cover ring	black mat, similar to RAL9005	93743	4007529937431
lens PD4N, Cover ring	anthracite mat, similar to RAL7016	93731	4007529937318
lens PD4N, Cover ring	black mat, similar to RAL9005	93733	4007529937332
lens PD4N, Cover ring	traffic white mat, similar to RAL9016	93732	4007529937325
Wire basket BSK (Ø 200 x 90 mm) white		92199	4007529921997



Dimensions 93340

Range diagram

- 1: Walking across
- 2: Walking towards
- 3: Seated activity



Wiring diagrams

© 2023 B.E.G. Brück Electronic GmbH