

### BMS DALI-2 - Multisensoren

## PD4N-BMS DALI-2



white mat, similar to  
RAL9010 , Part No. 93546

### Product Information

- Long-range DALI-2 multisensor (input device)
- DALI-2 certified product
- Powered via DALI bus
- Bright LED indication for commissioning
- DALI multimaster technology according to IEC 62386 part 103
- Instance 0 provides information regarding occupancy and movement for the DALI-Bus according to IEC 62386 part 303
- Instance 1 provides LUX values for the DALI-Bus according to IEC 62386 part 304
- Parameterisation is possible via mandatory Multimaster-Application-Controller of any manufacturer. This controller must support IEC 62386 parts 101/103/303/304.
- Mixed light measurement with internal and external light sensor
- Suitable for mounting in false ceilings and flush-mounting
- Accessory for surface mounting available
- Detection area can be restricted with blinds
- Individual adaption of detection sensitivity for each PIR sensor
- Status LEDs can be activated / deactivated
- **Application examples:**  
staircases, small offices, open-plan offices, conference rooms, classrooms/seminar rooms, sports halls/  
storage rooms

## Technical Data

<b>Voltage:</b>	via DALI Bus, max. 22.5 V DC
<b>Dimensions:</b>	Ø 106 x 68 mm
<b>Settings:</b>	via DALI-Bus and application which supports DALI multisensors according to IEC62386. parts 101. 103. 303 and 304
<b>typ. power input:</b>	7 mA
<b>Detection area:</b>	horizontal 360° (Ceiling mounting)
<b>Range:</b>	max. Ø 24 m across max. Ø 8 m towards max. Ø 6.4 m seated
<b>Monitored area (tangential movement):</b>	450 m <sup>2</sup> / 2.5 m mounting height
<b>Mounting height min./max./recommended:</b>	2 m / 10 m / 2.5 m
<b>Degree / class of protection:</b>	IP20 / Class II
<b>Impact strength:</b>	IK04
<b>Measured light output:</b>	0 - 4095 Lux, Mixed light measuring
<b>Ambient temperature:</b>	-25 °C to +55 °C
<b>Housing:</b>	polycarbonate, UV-resistant

---

## Description

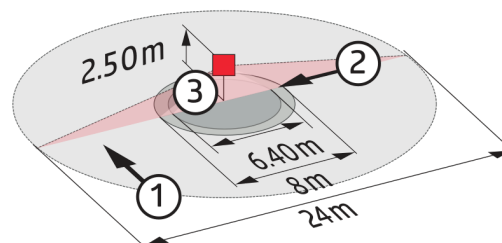
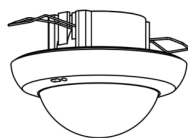
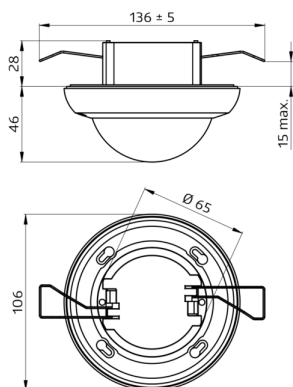
Description	Colour	Part number	EAN number
PD4N-BMS DALI-2	white mat, similar to RAL9010	93546	4007529935468

---

## Accessory

Description	Colour	Part number	EAN number
SM socle mounting set IP54 PD2N- / PD4N-FM	white	93307	4007529933075
SM socle mounting set IP54 PD2N- / PD4N-FM	black mat, similar to RAL9005	93753	4007529937530
SM socle mounting set IP54 PD2N- / PD4N-FM	traffic white mat, similar to RAL9016	93752	4007529937523
SM socle mounting set IP54 PD2N- / PD4N-FM	anthracite mat, similar to RAL7016	93751	4007529937516
lens PD4N, Cover ring	anthracite mat, similar to RAL7016	93731	4007529937318

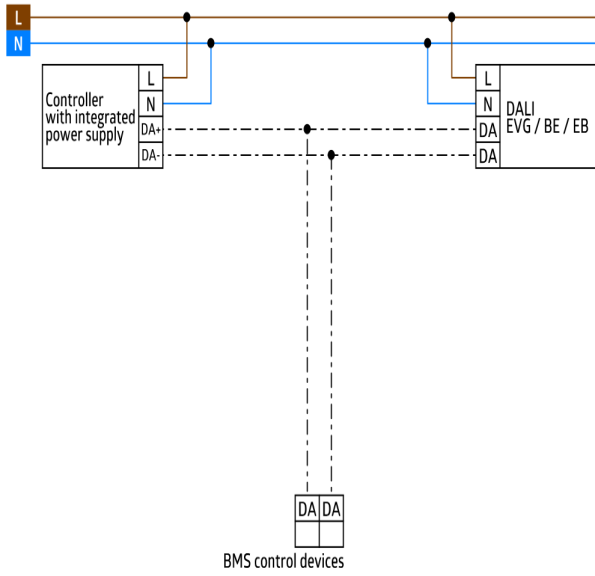
Description	Colour	Part number	EAN number
lens PD4N, Cover ring	black mat, similar to RAL9005	93733	4007529937332
lens PD4N, Cover ring	traffic white mat, similar to RAL9016	93732	4007529937325
Corridor lens PD4N type A, Cover ring	traffic white mat, similar to RAL9016	93742	4007529937424
Corridor lens PD4N type A, Cover ring	anthracite mat, similar to RAL7016	93741	4007529937417
Corridor lens PD4N type A, Cover ring	black mat, similar to RAL9005	93743	4007529937431
Corridor lens PD4N type A	white, similar to RAL9010	93073	4007529930739
Wire basket BSK (Ø 200 x 90 mm)	white	92199	4007529921997



Dimensions 93546

Range diagram

- 1: Walking across
- 2: Walking towards
- 3: Seated activity



## Wiring diagrams

© 2023 B.E.G. Brück Electronic GmbH