

### BMS DALI-2 - Multisensoren

## PD2N-BMS DALI-2



white, similar to RAL9010 ,white, similar to RAL9010 ,  
Part No. 93544                      Part No. 93543

### Product Information

- DALI-2 multisensor (input device)
- DALI-2 certified product
- Powered via DALI bus
- Bright LED indication for commissioning
- DALI multimaster technology according to IEC 62386 part 103
- Instance 0 provides information regarding occupancy and movement for the DALI-Bus according to IEC 62386 part 303
- Instance 1 provides LUX values for the DALI-Bus according to IEC 62386 part 304
- Parameterisation is possible via mandatory Multimaster-Application-Controller of any manufacturer. This controller must support IEC 62386 parts 101/103/303/304.
- Mixed light measurement with internal and external light sensor
- Detection area can be restricted with blinds
- Individual adaption of the PIR sensor sensitivity
- Status LEDs can be activated / deactivated
- **Application examples:**  
staircases, small offices, open-plan offices, conference rooms, classrooms/seminar rooms

### Technical Data

**Voltage:** via DALI Bus, max. 22.5 V DC

**Dimensions:** FM= Ø 106 x 42 mm  
FC= Ø 83 x 55 mm

<b>Settings:</b>	via DALI-Bus and application which supports DALI multisensors according to IEC62386. parts 101. 103. 303 and 304
<b>typ. power input:</b>	7 mA
<b>Detection area:</b>	horizontal 360° (Ceiling mounting)
<b>Range:</b>	max. Ø 10 m across max. Ø 6 m towards max. Ø 4 m seated
<b>Monitored area (tangential movement):</b>	78 m <sup>2</sup> / 2.5 m mounting height
<b>Mounting height min./max./recommended:</b>	2 m / 5 m / 2.5 m
<b>Degree / class of protection:</b>	FM= IP20 / Class II FC= IP20 / Class II
<b>Impact strength:</b>	IK05
<b>Measured light output:</b>	0 - 4095 Lux, Mixed light measuring
<b>Ambient temperature:</b>	-25 °C to +55 °C
<b>Housing:</b>	polycarbonate, UV-resistant

---

## Description

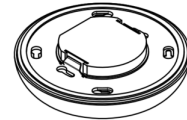
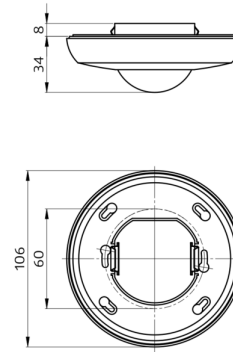
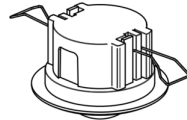
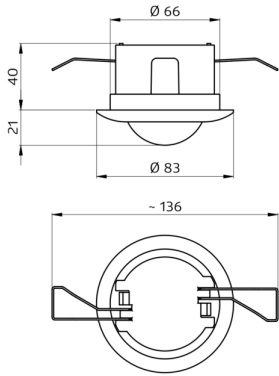
Description	Colour	Part number	EAN number
PD2N-BMS-FM DALI-2	white, similar to RAL9010	93544	4007529935444
PD2N-BMS-FC DALI-2	white, similar to RAL9010	93543	4007529935437

---

## Accessory

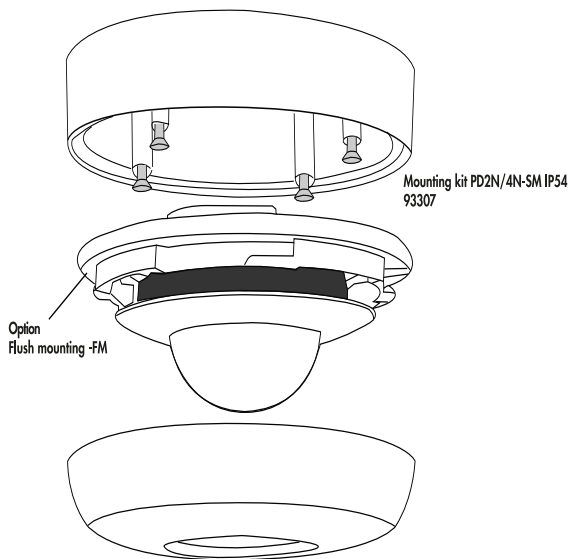
Description	Colour	Part number	EAN number
SM socle mounting set IP54 PD2N- / PD4N-FM	black mat, similar to RAL9005	93753	4007529937530
SM socle mounting set IP54 PD2N- / PD4N-FM	traffic white mat, similar to RAL9016	93752	4007529937523
SM socle mounting set IP54 PD2N- / PD4N-FM	anthracite mat, similar to RAL7016	93751	4007529937516
SM socle mounting set IP54 PD2N- / PD4N-FM	white	93307	4007529933075
Cover ring PD2N FM	black mat, similar to RAL9005	93763	4007529937639
Cover ring PD2N FM	traffic white mat, similar to RAL9016	93762	4007529937622
Cover ring PD2N FM	anthracite mat, similar to RAL7016	93761	4007529937615

Description	Colour	Part number	EAN number
Wire basket BSK (Ø 200 x 90 white mm)		92199	4007529921997

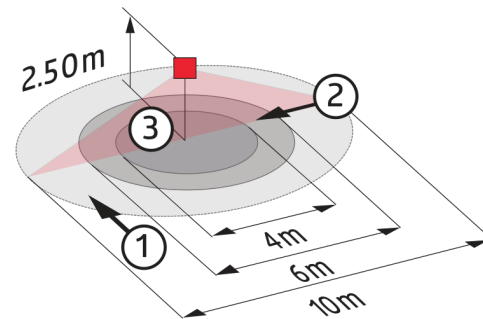


Dimensions 93543

Dimensions 93544

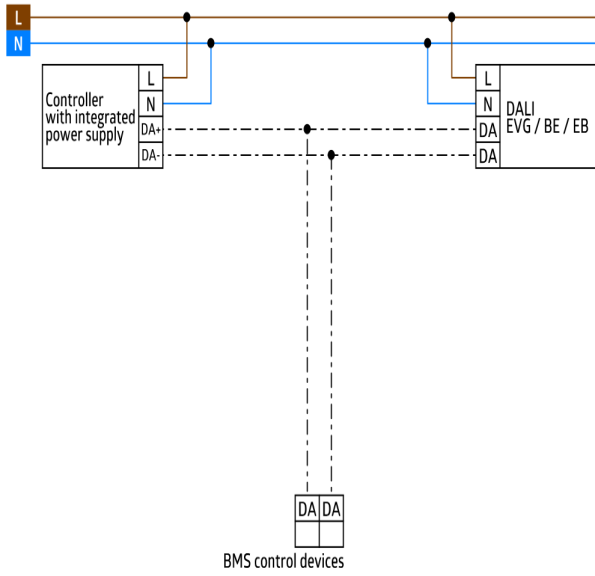


Surface-mount version (SM)



Range diagram

- 1: Walking across
- 2: Walking towards
- 3: Seated activity



## Wiring diagrams

---

© 2023 B.E.G. Brück Electronic GmbH