

BMS DALI-2 - Multisensoren

Indoor 180-BMS DALI-2



white mat, similar to
RAL9010 , Part No. 93540

Product Information

- DALI-2 multisensor (input device), especially for installation in walls
- DALI-2 certified product
- Powered via DALI bus
- DALI multimaster technology according to IEC 62386 part 103
- Instance 0 provides information regarding occupancy and movement for the DALI-Bus according to IEC 62386 part 303
- Instance 1 provides LUX values for the DALI-Bus according to IEC 62386 part 304
- Parameterisation is possible via mandatory Multimaster-Application-Controller of any manufacturer. This controller must support IEC 62386 parts 101/103/303/304.
- Measuring of mixed light thanks to internal light sensor
- Detection area can be restricted with blinds
- For use with covering (interior cover dimensions 50 x 50 mm) in 5 different colours
- In combination with centre plates usable with current frame systems of various manufacturers
- B.E.G. frames and centre plates for combination with other frame systems available
- Please order cover frame separately, available in various colours
- Individual adaption of the PIR sensor sensitivity
- Status LEDs can be activated / deactivated
- **Application examples:**
underground car parks, entrance halls, corridors/hallways, staircases, toilets, equipment rooms

Technical Data

Voltage:	via DALI Bus, max. 22.5 V DC
Dimensions:	70 x 70 x 61 mm
Settings:	via DALI-Bus and application which supports DALI multisensors according to IEC62386. parts 101. 103. 303 and 304
typ. power input:	7 mA
Power consumption:	approx. 0.5 W
Detection area:	horizontal 180° (Wall mounting)
Range:	max. 10 m across max. 3 m towards
Monitored area (tangential movement):	150 m ² / 1.1 m mounting height
Mounting height min./max./recommended:	1 m / 2.2 m / 1.1 m
Degree / class of protection:	IP20 / Class II
Impact strength:	IK05
Measured light output:	0 - 4095 Lux, Mixed light measuring
Ambient temperature:	-25 °C to +55 °C
Housing:	polycarbonate, UV-resistant

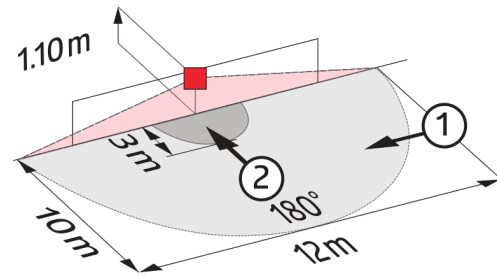
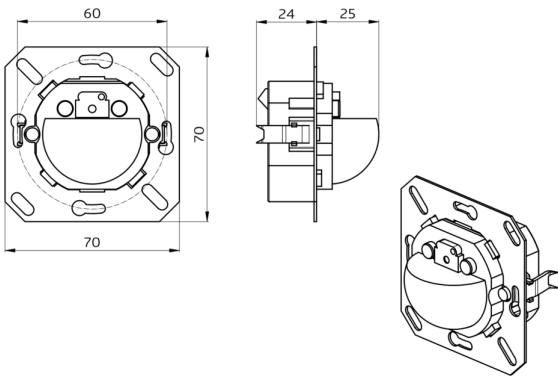
Description

Description	Colour	Part number	EAN number
Indoor 180-BMS DALI-2 covering not included	white mat, similar to RAL9010	93540	4007529935406

Accessory

Description	Colour	Part number	EAN number
Frame IP20 Indoor 180	pure white mat, similar to RAL9010	92630	4007529926305
Frame IP20 Indoor 180	traffic white mat, similar to RAL9016	92631	4007529926312
Frame IP20 Indoor 180	anthracite mat, similar to RAL7021	92634	4007529926343
Frame IP54 Indoor 180	pure white mat, similar to RAL9010	92139	4007529921393
Frame IP20 Indoor 180	oyster white mat, similar to RAL1013	92632	4007529926329

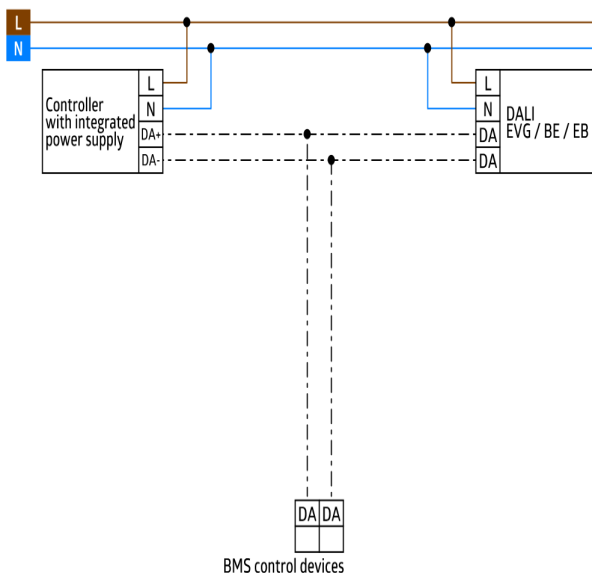
Description	Colour	Part number	EAN number
Frame IP20 Indoor 180	silver mat, similar to RAL9006	92633	4007529926336
Surface mounting socket Indoor 180	pure white mat, similar to RAL9010	92141	4007529921416
Central plate Indoor 180 45x45	traffic white mat, similar to RAL9016	38947	4007529389476
Central plate Indoor 180 55 x 55 mm	pure white glossy	39222	4007529392223



Dimensions 93540

Range diagram

- 1: Walking across
- 2: Walking towards



Wiring diagrams

