

BMS DALI-2 - Multisensoren

LC-Mini 120-BMS DALI-2



white mat, similar to
RAL9010 , Part No. 93541

Product Information

- DALI-2 multisensor (input device) with a detection area of 120°
- DALI-2 certified product
- Powered via DALI bus
- Adjustable ball head
- Detection area can be restricted with blinds
- DALI multimaster technology according to IEC 62386 part 103
- Instance 0 provides information regarding occupancy and movement for the DALI-Bus according to IEC 62386 part 303
- Instance 1 provides LUX values for the DALI-Bus according to IEC 62386 part 304
- Parameterisation is possible via mandatory Multimaster-Application-Controller of any manufacturer. This controller must support IEC 62386 parts 101/103/303/304.
- Individual adaption of the PIR sensor sensitivity
- Status LEDs can be activated / deactivated

Technical Data

| | |
|--------------------------|--|
| Voltage: | via DALI Bus, max. 22.5 V DC |
| Dimensions: | 80 x 70 x 55 mm |
| Settings: | via DALI-Bus and application which supports DALI multisensors according to IEC62386. parts 101. 103. 303 and 304 |
| typ. power input: | 7 mA |

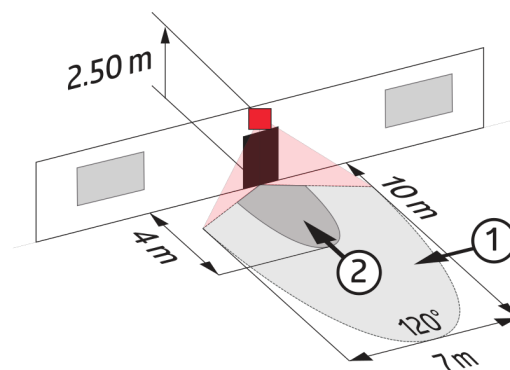
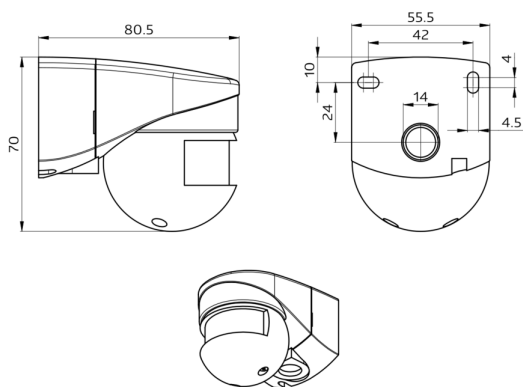
| | |
|---|--|
| Power consumption: | approx. 0.5 W |
| Detection area: | horizontal 120° (Wall mounting) |
| Range: | max. 10 m across max. 4 m towards |
| Monitored area (tangential movement): | 100 m ² / 2.5 m mounting height |
| Mounting height min./max./recommended: | 2 m / 3 m / 2.5 m |
| Degree / class of protection: | IP44 / Class II |
| Measured light output: | 0 - 4095 Lux, Mixed light measuring |
| Ambient temperature: | -25 °C to +50 °C |
| Housing: | polycarbonate, UV-resistant |

Description

| Description | Colour | Part number | EAN number |
|------------------------|-------------------------------|-------------|---------------|
| LC-Mini 120-BMS DALI-2 | white mat, similar to RAL9010 | 93541 | 4007529935413 |

Accessory

| Description | Colour | Part number | EAN number |
|----------------------------------|--------|-------------|---------------|
| Wire basket BSK (Ø 164 x 143 mm) | white | 92467 | 4007529924677 |

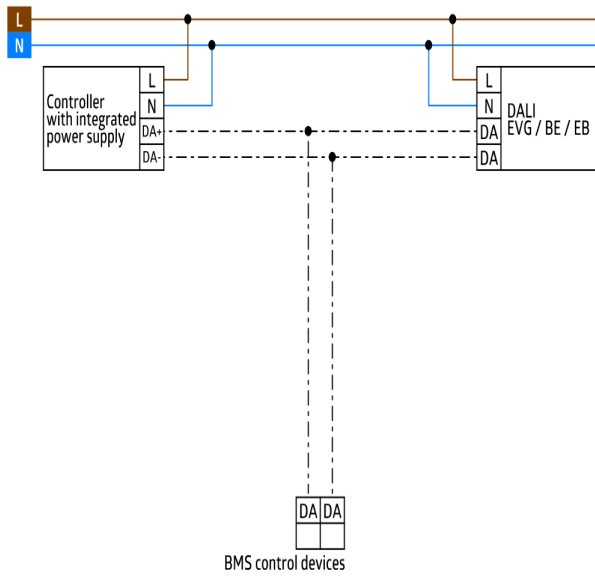


Dimensions 93541

Range diagram

1: Walking across

2: Walking towards



Wiring diagrams