

BMS DALI-2 - Multisensoren

PICO-BMS DALI-2



white, similar to RAL9010 ,
Part No. 93547

Product Information

- Particularly small DALI-2 multisensor (input device) with only 11mm installation depth for installation in luminaires
- DALI-2 certified product
- Powered via DALI bus
- DALI multimaster technology according to IEC 62386 part 103
- Instance 0 provides information regarding occupancy and movement for the DALI-Bus according to IEC 62386 part 303
- Instance 1 provides LUX values for the DALI-Bus according to IEC 62386 part 304
- Parameterisation is possible via mandatory Multimaster-Application-Controller of any manufacturer. This controller must support IEC 62386 parts 101/103/303/304.
- Measuring of mixed light thanks to internal light sensor
- Detection area can be restricted with blinds
- Individual adaption of the PIR sensor sensitivity
- Status LEDs can be activated / deactivated
- **Application examples:**
staircases, toilets, equipment rooms, small offices, open-plan offices, conference rooms

Technical Data

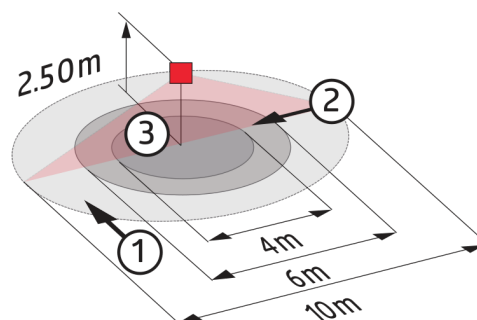
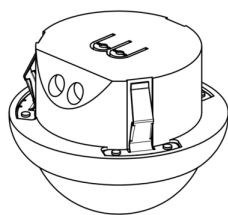
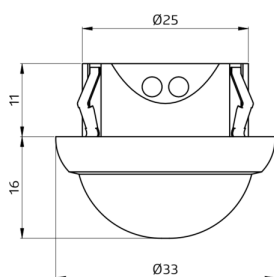
Voltage:	via DALI Bus, max. 22.5 V DC
Dimensions:	Ø 33 x 27 mm
Settings:	via DALI-Bus and application which supports DALI multisensors according to

IEC62386. parts 101. 103. 303 and 304

typ. power input:	7 mA
Detection area:	horizontal 360° (Ceiling mounting)
Range:	max. Ø 10 m across max. Ø 6 m towards max. Ø 4 m seated
Monitored area (tangential movement):	78 m ² / 2.5 m mounting height
Mounting height min./max./recommended:	2 m / 5 m / 2.5 m
Degree / class of protection:	IP20 / Class II
Impact strength:	IK04
Measured light output:	0 - 4095 Lux, Mixed light measuring
Ambient temperature:	-25 °C to +55 °C
Housing:	polycarbonate, UV-resistant

Description

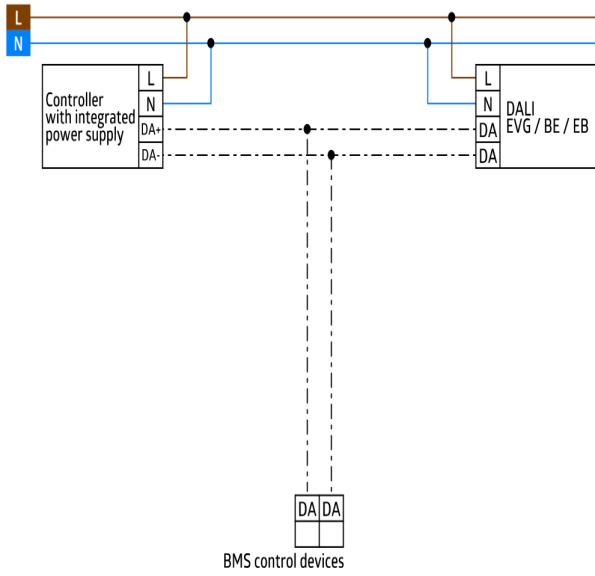
Description	Colour	Part number	EAN number
PICO-BMS DALI-2	white, similar to RAL9010	93547	4007529935475



Dimensions 93547

Range diagram

- 1: Walking across
- 2: Walking towards
- 3: Seated activity



Wiring diagrams

© 2023 B.E.G. Brück Electronic GmbH