

DALI-LINK - Control devices

PICO-DALI-LINK



white, similar to RAL9010 ,
Part No. 93908

Product Information

- Mini DALI multisensor with only 11mm installation depth for installation in luminaires
- Powered via DALI bus
- Seamless integration in DALI lighting control system B.E.G. LUXOMAT® net DALI-LINK as modular multimaster option
- Detection area can be extended thanks to master-slave-mode
- Measuring of mixed light thanks to internal light sensor
- Semi-automatic, full-automatic or twilight switch mode
- Integrated daylight harvesting circuit (or switch output)
- Guided Light, Soft-Start PLUS, Orientation light PLUS
- Works out-of-the box for easy installation check
- Full range of functions can only be activated with other products of the product group B.E.G. LUXOMAT® net DALI-LINK
- Detection area can be restricted with blinds
- **Application examples:**
staircases, toilets, equipment rooms, small offices, open-plan offices, conference rooms

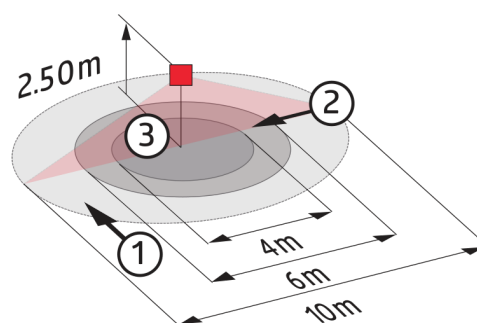
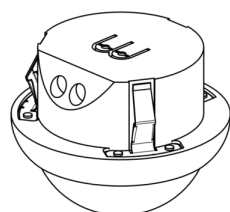
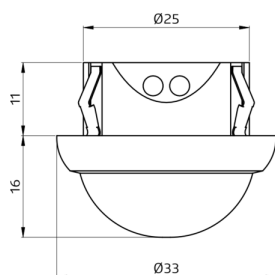
Technical Data

Voltage:	via DALI Bus, max. 22.5 V DC
Dimensions:	Ø 33 x 27 mm
Settings:	PBM-DALI-LINK-4W-BLE + Smartphone with DALI-LINK App (iOS / Android)

typ. power input:	2 mA
Detection area:	horizontal 360° (Ceiling mounting)
Range:	max. Ø 10 m across max. Ø 6 m towards max. Ø 4 m seated
Monitored area (tangential movement):	78 m ² / 2.5 m mounting height
Mounting height min./max./recommended:	2 m / 5 m / 2.5 m
Degree / class of protection:	IP20 / Class II
Impact strength:	IK04
Ambient temperature:	-25 °C to +55 °C
Housing:	polycarbonate, UV-resistant
Brightness set value:	10 – 2500 Lux

Description

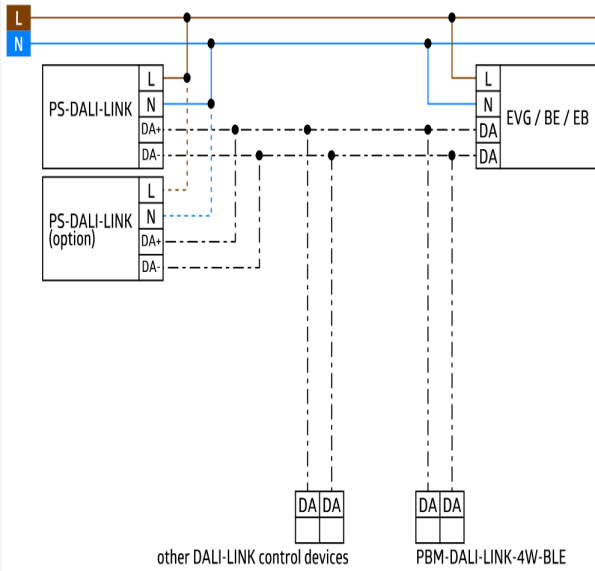
Description	Colour	Part number	EAN number
PICO-DALI-LINK-FC	white, similar to RAL9010	93908	4007529939084



Dimensions 93908

Range diagram

- 1: Walking across
- 2: Walking towards
- 3: Seated activity



Wiring diagrams

© 2023 B.E.G. Brück Electronic GmbH