

DU 1 DALI S RF KNX

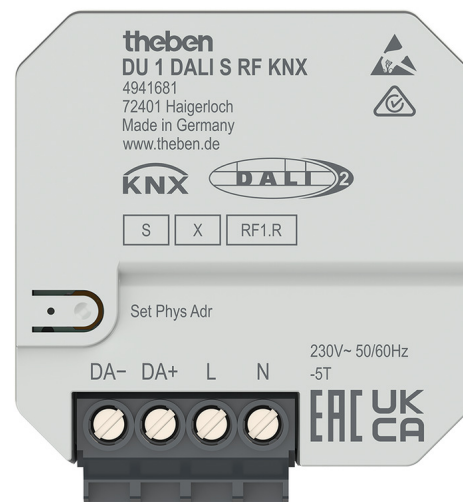
Item no.: 4941681



Home and Building control
KNX

Description

- Flush-mounted 1-way DALI actuator, KNX RF, Data Secure
- DALI-2 certified
- Interface between the DALI and the KNX bus system
- Simple commissioning of up to 30 ECGs in broadcast mode
- Control of RGB, RGBW, Tunable White or conventional luminaires
- DT-8 luminaire support
- Easy replacement of ECGs in the event of a fault
- Universal mounting thanks to the compact housing
- 2 binary inputs for potential-free contacts such as pushbuttons, switches, window contacts, temperature sensor (input I2)
- The binary input I1 is assigned to the output ex works (function test and operation even without programming)
- Integrated temperature monitoring for increased operational safety, e.g. in case of overload
- Secure communication through support of KNX Data Secure

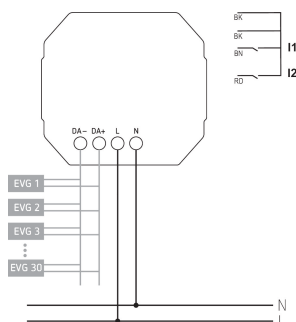


Technical data

DU 1 DALI S RF KNX	
Operating voltage	230 V AC 50 – 60 Hz
Frequency	50 – 60 Hz
Stand-by consumption	±0.7 W
Installation type	Flush-mounted
Type of connection	Terminal screws Bus connection: KNX bus terminal

DU 1 DALI S RF KNX	
Number of channels	1
Type	Base module
Type of protection	IP 20
Protection class	II

Connection example



Subject to technical changes and misprints

additional information at: www.theben.de/product/4941681

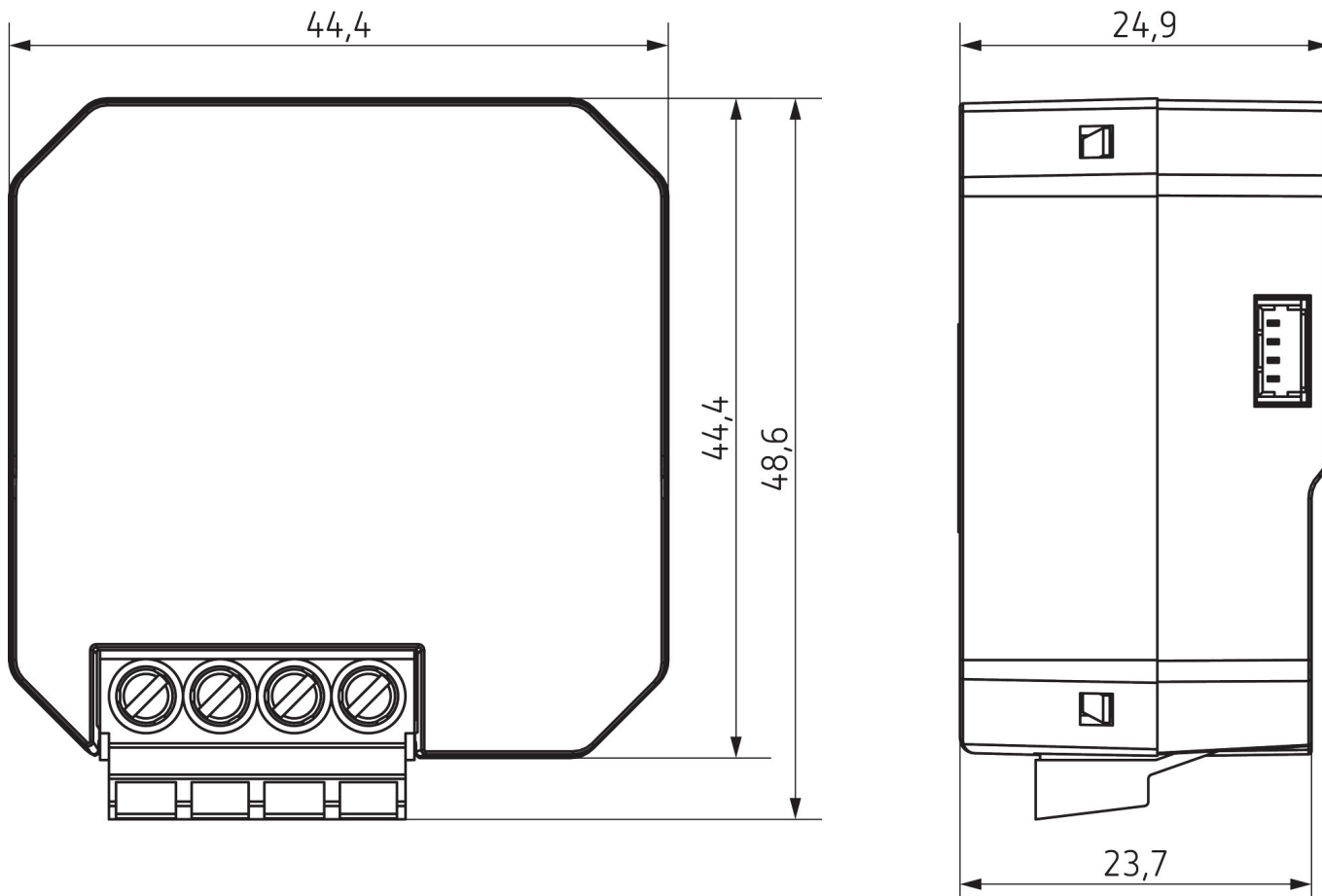
The load data are determined with exemplary selected illuminants and are therefore typical data due to the large number of available products.

DU 1 DALI S RF KNX

Item no.: 4941681

theben

Scale drawings

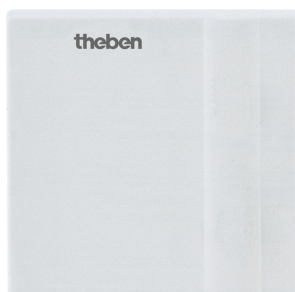


Accessories

Temperature sensor
Item no.: 9070321



Temperature sensor RAMSES IP
65
Item no.: 9070459



Flush-mounted temperature
sensor
Item no.: 9070496



Subject to technical changes and misprints

additional information at: www.theben.de/product/4941681

The load data are determined with exemplary selected illuminants and are therefore typical data due to the large number of available products.